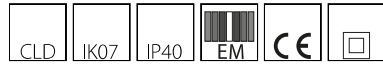


## 620 - Safety Flag LED

Code: 112581-00

### GENERAL INFORMATION



Article	620 - Safety Flag LED
Code	112581-00

### DIMENSIONS AND WEIGHT

Length (mm)	364 mm
Width (mm)	345 mm
Height (mm)	345 mm
Weight (Kg)	0.71 kg

### ELECTRICAL CHARACTERISTICS AND CONTROLS

Voltage type	AC
Min Voltage (V)	220 V
Max Voltage (V)	240 V
Min Frequency (Hz)	50 Hz
Max Frequency (Hz)	60 Hz
Frequency (Hz)	50 Hz
Wiring name	CLD-CEM-L
Power factor	$\geq 0.9$
Insulation class	Class II
Controllability	None



620 Safety Flag LED



## 620 - Safety Flag LED

Code: 112581-00

### PHOTOMETRIC DATA

Lighting source	LED
Power absorption (total) (W)	5 W
CCT	6000 K
LED flux maintenance	50000 hr, L 80, B 20

### MECHANICAL CHARACTERISTICS

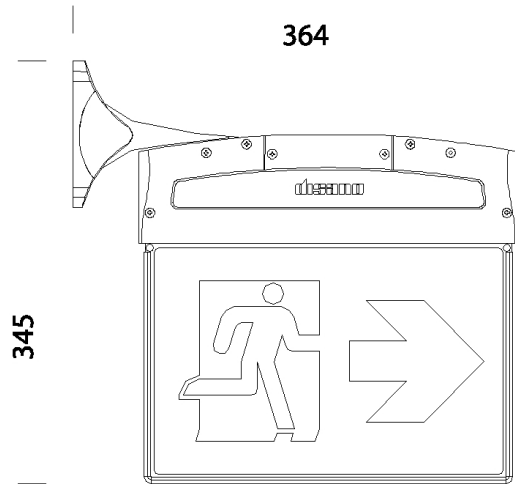
Impact resistance rating (IK)	IK07
IP	40



## 620 - Safety Flag LED

Code: 112581-00

### MATERIALS AND COLOURS



Housing	in high transmittance technopolymer.
Diffuser	in transparent plexiglass with micro finish.
Colour	Grey
Equipment	supplied with accessories for wall, ceiling and suspension mounting. With three cable entries and safety cable clamps. Versions: 1h life and charging in 12h. 3h life and charging in 24h

### EMERGENCY LIGHTING

Type of emergency	S.A.
-------------------	------

### STANDARDS AND COMPLIANCE

Photobiological safety class	RG0
Markings and tests	CE
Reference standards	EN60598-1. With degree of protection according to EN60529.

### DOWNLOAD

#### MOUNTS

[AssemblyInstructions 620 09-21.pdf](#)

#### DESIGNS

[BIM 620 - Safety Flag LED - Suspension - 20200528.zip](#)

[TechnicalDrawing 620flag.dxf](#)



### GEAR

Upon request	with built-in self-diagnosis
--------------	------------------------------

### WARRANTY

After sales warranty	3 yr
----------------------	------

## 620 - Safety Flag LED

---

Code: 112581-00



470 Labels

