

6076 - Opal diffuser

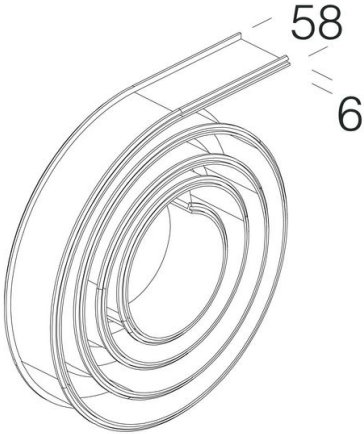
Code: 132916-00

GENERAL INFORMATION

Article	6076 - Opal diffuser
Code	132916-00

DIMENSIONS AND WEIGHT

Length (mm)	30000 mm
Width (mm)	58 mm
Height (mm)	6 mm
Weight (Kg)	1.4 kg



Opal polycarbonate roll must always be used on Madrid for continuous and uninterrupted "all light" lines.

Upon request, UGR<19 prismatic roll is available.



6076 - Opal diffuser

Code: 132916-00



6076 - Opal diffuser

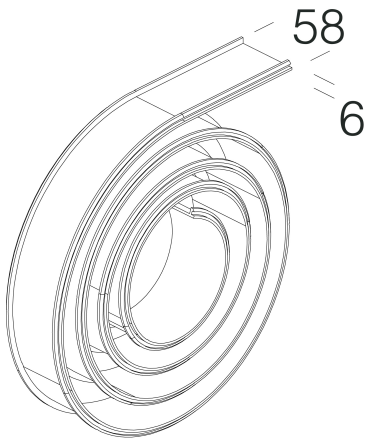
Code: 132916-00

MATERIALS AND COLOURS

Housing	Roll in opal polycarbonate, 30 metres.
Colour	Opal

WARRANTY

After sales warranty	0 yr
----------------------	------



DOWNLOAD

MOUNTS

AssemblyInstructions 6075-6076 accessories 01-25.pdf

DESIGNS

TechnicalDrawing 6076.dxf

