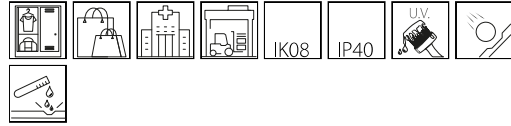


## 6000 - Rapid System - Civil track

Code: 132923-00

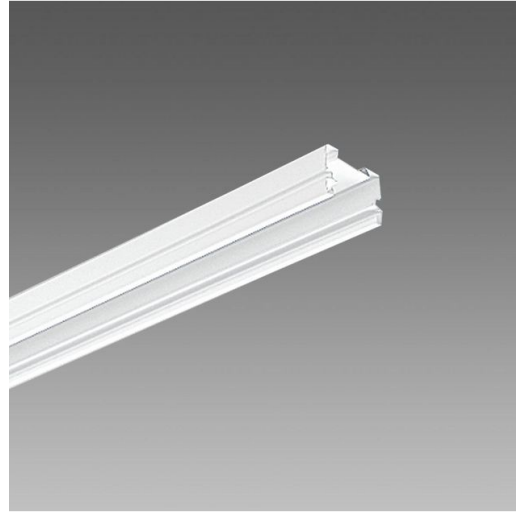
### GENERAL INFORMATION



|         |                                   |
|---------|-----------------------------------|
| Article | 6000 - Rapid System - Civil track |
| Code    | 132923-00                         |

### DIMENSIONS AND WEIGHT

|             |         |
|-------------|---------|
| Length (mm) | 4700 mm |
| Width (mm)  | 60 mm   |
| Height (mm) | 40 mm   |
| Weight (Kg) | 3.5 kg  |



in galvanized rolled steel, with anti-cutting turned-up edges.



## 6000 - Rapid System - Civil track

---

Code: 132923-00

### MECHANICAL CHARACTERISTICS



|                               |      |
|-------------------------------|------|
| Impact resistance rating (IK) | IK08 |
| IP                            | 40   |

---

## 6000 - Rapid System - Civil track

Code: 132923-00

### MATERIALS AND COLOURS

|         |   |
|---------|---|
| Housing | in galvanized rolled steel, with anti-cutting turned-up edges.                    |
| Coating | pre-painted in oven with polyester resin, UV-stabilised, phosphate pre-treatment. |
| Colour  | White   |

### STANDARDS AND COMPLIANCE

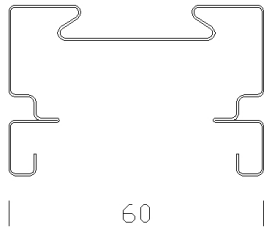
|                     |  |
|---------------------|--|
| Reference standards | EN60598-1. They have a degree of protection according to the EN60529 standard. |
|---------------------|--|

### GEAR

|              |   |
|--------------|---|
| Sensors      |   |
| Upon request | Accessories: in steel with thermoplastic cover, they allow rotation, joining and suspension of power track or securing to the track of all Disano fixtures. |

### WARRANTY

|                      |      |
|----------------------|------|
| After sales warranty | 0 yr |
|----------------------|------|



### DOWNLOAD

#### MOUNTS

[AssemblyInstructions 6000 02-24.pdf](#)

#### DESIGNS

[TechnicalDrawing d6000.dxf](#)

