

6051 - Ceiling-susp. mounting

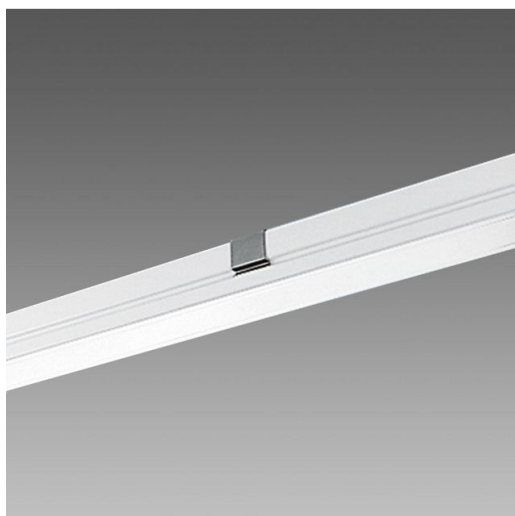
Code: 132927-00

GENERAL INFORMATION

Article	6051 - Ceiling-susp. mounting
Code	132927-00

DIMENSIONS AND WEIGHT

Weight (Kg)	0.027 kg
-------------	----------



6051 Attacco plafone-sospensione



6051 - Ceiling-susp. mounting

Code: 132927-00



6051 - Ceiling-susp. mounting

Code: 132927-00

MATERIALS AND COLOURS

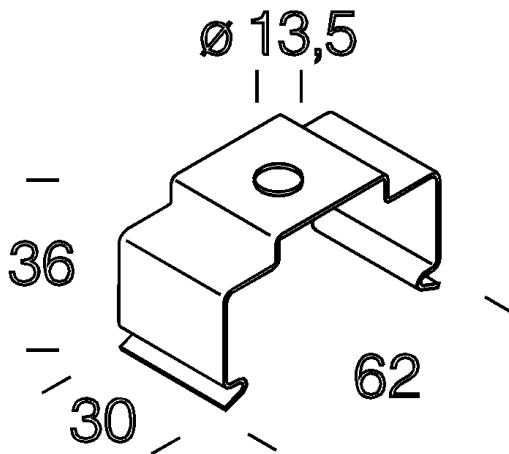
Housing	in steel. For direct ceiling installation or suspension with support rods. Use at least 2 per track.
Coating	epoxy cataphoresis coated.
Colour	Stainless steel

STANDARDS AND COMPLIANCE

Markings and tests	CE
--------------------	----

WARRANTY

After sales warranty	0 yr
----------------------	------



DOWNLOAD

DESIGNS

TechnicalDrawing d6051.dxf



6051 - Ceiling-susp. mounting

Code: 132927-00

