

## 6052 - Suspension for chain

Code: 132928-00

### GENERAL INFORMATION

Article	6052 - Suspension for chain
Code	132928-00

### DIMENSIONS AND WEIGHT

Weight (Kg)	0.241 kg
-------------	----------



6052 Sospensione per catena



## 6052 - Suspension for chain

---

Code: 132928-00



## 6052 - Suspension for chain

Code: 132928-00

### MATERIALS AND COLOURS

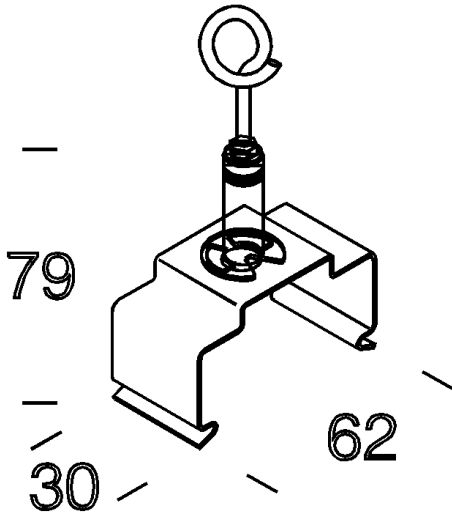
Housing	in steel. For chain suspension. complete with track connector acc. 6051. Use at least 2 per track.
Colour	Stainless steel

### STANDARDS AND COMPLIANCE

Markings and tests	CE
--------------------	----

### WARRANTY

After sales warranty	0 yr
----------------------	------



DOWNLOAD

### DESIGNS

TechnicalDrawing d6052.dxf



## 6052 - Suspension for chain

Code: 132928-00

