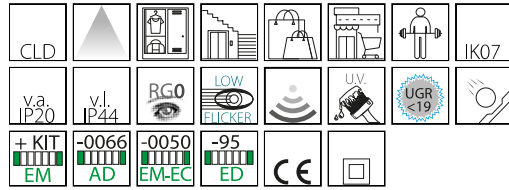


885 - Compact Dark 1 - COB - DIP SWITCH

Code: 156450-00

GENERAL INFORMATION



Article	885 - Compact Dark 1 - COB - DIP SWITCH
Code	156450-00

DIMENSIONS AND WEIGHT

Height (mm)	145 mm
Diameter (Ø) (mm)	230 mm
Weight (Kg)	0.37 kg

INSTALLATION

Min. recessed cut-out hole (mm)	210 mm
Max. recessed cut-out hole (mm)	225 mm

ELECTRICAL CHARACTERISTICS AND CONTROLS

Voltage type	AC
Min Voltage (V)	220 V
Max Voltage (V)	240 V
Min Frequency (Hz)	50 Hz
Max Frequency (Hz)	60 Hz
Frequency (Hz)	50 Hz
Wiring name	CLD
Power factor	≥0.9
Rated Current	500 mA
Insulation class	Class II
Controllability	None



The lighting of passage areas (stairwells, corridors, entrances) and workstations (public buildings, offices, hotels and restaurants) is very important in both aesthetic and functional terms. And that's not all. Well-lit public and residential areas contribute to providing a sense of security and wellbeing.

Robust, high-quality recessed spotlights of Disano's Compact family are the ideal solution. They are easy to fit into any context, guaranteeing maximum efficiency and a long service life.

Disano's Compact range now also includes the Compact Dark version, specifically designed for workplaces, featuring glare-free metallised aluminium optics and the latest generation of high-efficiency LEDs.

In addition to the excellent quality of the LED light, featuring an extraordinary colour rendering index, these fixtures are also certified as being low flicker, indicating a stable light output producing minimum flickering.

DIP switch adjustment: the luminaire is equipped with a built-in DIP switch driver for setting the output current; this will enable to choose the right light flux for each lighting design.

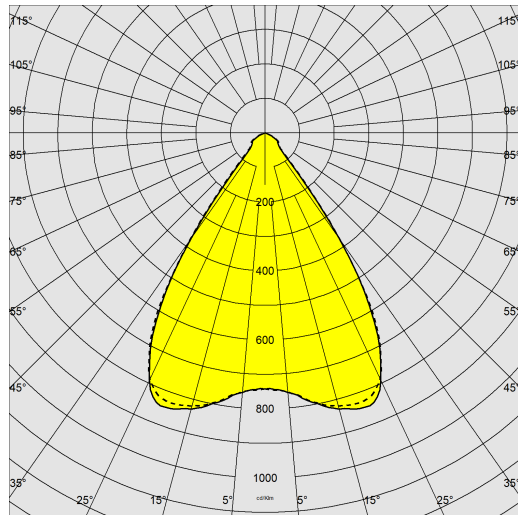
The chance to choose the needed LED pilot current will allow you to have the right amount of power adjusted to any given design requirement. Choosing a lower current will increase the efficiency and improve energy savings, while a higher current will provide more light and make it possible to reduce the number of luminaires installed.



885 - Compact Dark 1 - COB - DIP SWITCH

Code: 156450-00

PHOTOMETRIC DATA



Lighting source	LED
CRI	80
Luminous flux (output) (lm)	2156 lm
Power absorption (total) (W)	18 W
CCT	4000 K
Luminous efficacy (lm/W)	120 lm/W
Unified glare rating UGR (EN 12464-1) (Reflectance coefficient: ceiling 0.7 - walls 0.5)	UGR<19, according to standard EN 12464.
Low Flicker	luminaire with very low flicker: evenly distributed light for greater visual safety.
LED flux maintenance	55000 hr, L 90, B 10

MECHANICAL CHARACTERISTICS

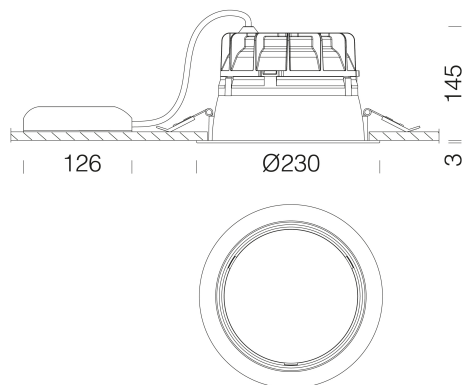
Impact resistance rating (IK)	IK07
IP (vl)	44
IP (va)	20



885 - Compact Dark 1 - COB - DIP SWITCH

Code: 156450-00

MATERIALS AND COLOURS



Housing	in polycarbonate, shatterproof, V0 self-extinguishing, metallised with high-efficiency aluminium powder with anti-glare and anti-dazzle louvers. 65° shielding.
Optics	in white polycarbonate, V0 self-extinguishing and glossy finish.
Diffuser	in shatterproof, V0 self-extinguishing, transparent polycarbonate. UGR<19 shielded micro-lenticular internal slab.
Heat sink	in die-cast black-painted aluminium with built-in cooling fins.
Coating	polyester powder coated, UV-stabilised, anti-yellowing, phosphate pre-treatment.
Colour	White
Equipment	galvanised steel wire springs for false ceiling mounting. fixtures to be installed in NON metallic false ceilings/panels.

STANDARDS AND COMPLIANCE

Photobiological safety class	RG0
Markings and tests	CE
Reference standards	EN60598-1. With degree of protection according to EN60529. Minimum Environmental Criteria (CAM) compliant product.
Energy Label	C

DOWNLOAD

MOUNTS

[AssemblyInstructions EM-KIT 600 03-22.pdf](#)

[AssemblyInstructions 885 compact 06-22.pdf](#)

[AssemblyInstructions Dip switch 0523.pdf](#)

DESIGNS

[TechnicalDrawing 885.dxf](#)



WARRANTY

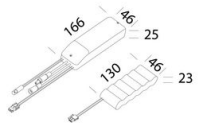
After sales warranty	5 yr
----------------------	------

885 - Compact Dark 1 - COB - DIP SWITCH

Code	Wiring	Kg	Colour	I LED	TotW	K - Lumen Output - CRI – Degrees
156450-00	CLD	1.10	WHITE	500	18	4000K - 2156lm - CRI 80
156450-00	CLD	1.10	WHITE	350	12	4000K - 1540lm - CRI 80
156450-00	CLD	1.10	WHITE	400	14	4000K - 1754lm - CRI 80
156450-00	CLD	1.10	WHITE	450	16	4000K - 1965lm - CRI 80
156450-00	CLD	1.10	WHITE	550	19,5	4000K - 2335lm - CRI 80
156450-00	CLD	1.10	WHITE	600	22	4000K - 2636lm - CRI 80
156450-00	CLD	1.10	WHITE	650	23	4000K - 2736lm - CRI 80
156450-00	CLD	1.10	WHITE	700	25	4000K - 2954lm - CRI 80

885 - Compact Dark 1 - COB - DIP SWITCH

Code: 156450-00



600 EM power supply kit