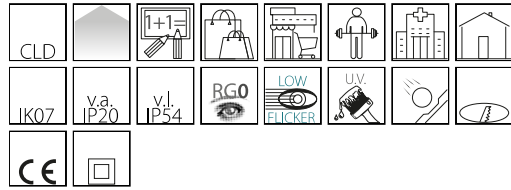


910 - Health

Code: 156470-00



The lighting of passage areas and workstations (public buildings, offices, hotels and restaurants) is very important. Well-lit public and residential areas contribute to providing a sense of security and wellbeing. The robust and high-quality Health recessed spotlights by Disano are the best solution, as they can be easily inserted into any setting while guaranteeing maximum efficiency and long service life.

In addition to the excellent quality of the LED light, featuring an extraordinary colour rendering index, Health spotlights are also certified as being 'low flicker', indicating a stable light output producing minimum flicker levels.

The recessed version can be equipped with light management and control technology, such as presence sensors and remote-control systems to increase efficiency and life span, avoiding waste and unnecessary switching.



GENERAL INFORMATION

Article	910 - Health
Code	156470-00

DIMENSIONS AND WEIGHT

Height (mm)	30 mm
Diameter (Ø) (mm)	220 mm
Weight (Kg)	0.6 kg

INSTALLATION

Min. recessed cut-out hole (mm)	200 mm
Max. recessed cut-out hole (mm)	205 mm

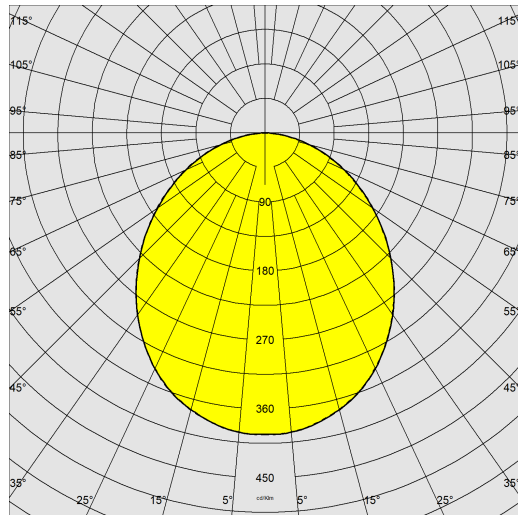
ELECTRICAL CHARACTERISTICS AND CONTROLS

Voltage type	AC
Min Voltage (V)	220 V
Max Voltage (V)	240 V
Min Frequency (Hz)	50 Hz
Max Frequency (Hz)	60 Hz
Frequency (Hz)	50 Hz
Wiring name	CLD
Power factor	≥0.9
Insulation class	Class II
Controllability	None

910 - Health

Code: 156470-00

PHOTOMETRIC DATA



Lighting source	LED
CRI	90
Luminous flux (output) (lm)	2640 lm
Power absorption (total) (W)	22 W
CCT	4000 K
Luminous efficacy (lm/W)	120 lm/W
Low Flicker	luminaire with very low flicker: evenly distributed light for greater visual safety.
LED flux maintenance	50000 hr, L 80, B 20

MECHANICAL CHARACTERISTICS

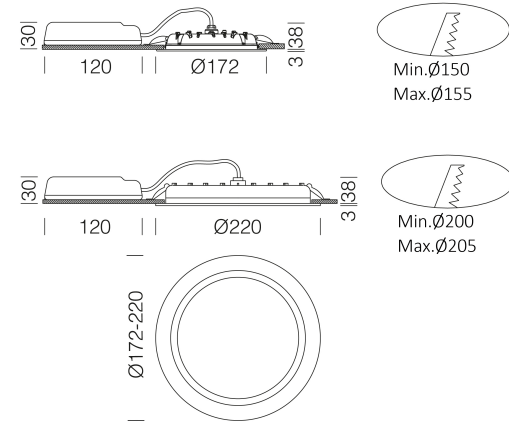
Impact resistance rating (IK)	IK07
IP (vl)	54
IP (va)	20



910 - Health

Code: 156470-00

MATERIALS AND COLOURS



DOWNLOAD

MOUNTS

[AssemblyInstructions health 03-23.pdf](#)

DESIGNS

[BIM 910 Health - 20200224](#)

[TechnicalDrawing health21.dxf](#)



Housing	in die-cast aluminium.
Optics	in high-performance PMMA resistant to high temperatures and UV rays.
Diffuser	anti-glare opal plastic material.
Heat sink	built-in.
Coating	polyester powder coated, UV-stabilised, anti-yellowing, phosphate pre-treatment.
Colour	White
Equipment	fixtures are fitted with galvanised steel support brackets, with spring housing for ceiling mount.

STANDARDS AND COMPLIANCE

Photobiological safety class	RG0
Markings and tests	CE
Reference standards	EN60598-1. They have a degree of protection according to the EN60529 standard.
Energy Label	E

WARRANTY

After sales warranty	3 yr
----------------------	------