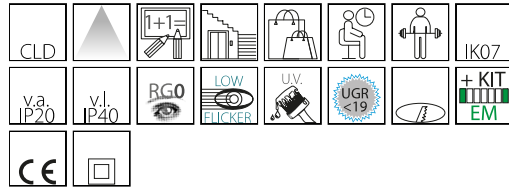


911 - Health Dark UGR<19 - ø121

Code: 156474-00

GENERAL INFORMATION



Article	911 - Health Dark UGR<19 - ø121
Code	156474-00

DIMENSIONS AND WEIGHT

Height (mm)	38 mm
Diameter (Ø) (mm)	121 mm
Weight (Kg)	0.6 kg

INSTALLATION

Min. recessed cut-out hole (mm)	100 mm
Max. recessed cut-out hole (mm)	105 mm

ELECTRICAL CHARACTERISTICS AND CONTROLS

Voltage type	AC
Min Voltage (V)	220 V
Max Voltage (V)	240 V
Min Frequency (Hz)	50 Hz
Max Frequency (Hz)	60 Hz
Frequency (Hz)	50 Hz
Wiring name	CLD
Power factor	≥0.9
Insulation class	Class II
Controllability	None



The lighting of passage areas and workstations (public buildings, offices, hotels and restaurants) is very important. Well-lit public and residential areas contribute to providing a sense of security and wellbeing. The robust and high-quality Health recessed spotlights by Disano are the best solution, as they can be easily inserted into any setting while guaranteeing maximum efficiency and long service life.

The Health UGR<19 version is specifically designed for workplaces. It features glare-free metallised aluminium optics and the latest generation of high-efficiency LEDs. In addition to the excellent quality of the LED light, featuring an extraordinary colour rendering index, Health spotlights are also certified as being 'low flicker', indicating a stable light output producing minimum flicker levels.

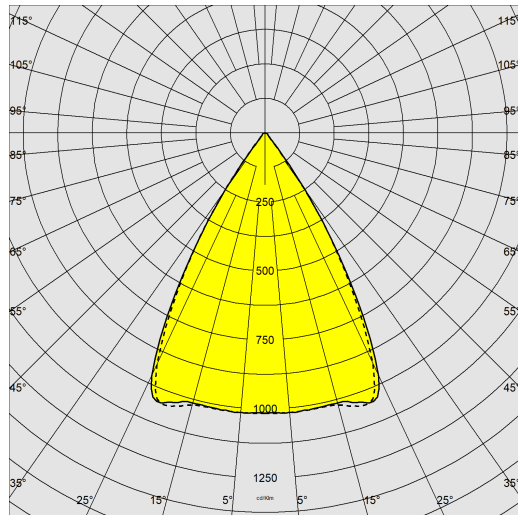
The recessed version can be equipped with light management and control technology, such as presence sensors and remote-control systems to increase efficiency and life span, avoiding waste and unnecessary switching.



911 - Health Dark UGR<19 - ø121

Code: 156474-00

PHOTOMETRIC DATA



Lighting source	LED
CRI	80
Luminous flux (output) (lm)	1000 lm
Power absorption (total) (W)	8 W
CCT	4000 K
Luminous efficacy (lm/W)	125 lm/W
Unified glare rating UGR (EN 12464-1) (Reflectance coefficient: ceiling 0.7 - walls 0.5)	UGR<19, according to standard EN 12464.
Low Flicker	luminaire with very low flicker: evenly distributed light for greater visual safety.
LED flux maintenance	50000 hr, L 80, B 20

MECHANICAL CHARACTERISTICS

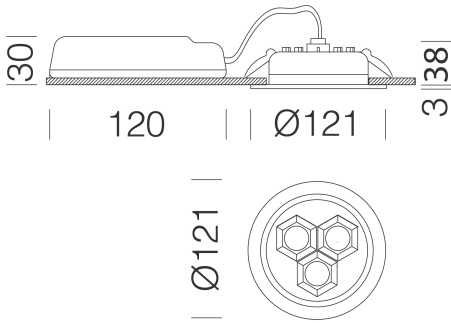
Impact resistance rating (IK)	IK07
IP (vl)	40
IP (va)	20



911 - Health Dark UGR<19 - ø121

Code: 156474-00

MATERIALS AND COLOURS



Housing	in die-cast aluminium.
Optics	in high-performance PMMA resistant to high temperatures and UV rays.
Diffuser	dark light screen: anti-glare metallised plastic.
Heat sink	built-in.
Coating	polyester powder coated, UV-stabilised, anti-yellowing, phosphate pre-treatment.
Colour	White
Equipment	fixtures are fitted with galvanised steel support brackets, with spring housing for ceiling mount.

STANDARDS AND COMPLIANCE

Photobiological safety class	RG0
Markings and tests	CE
Reference standards	EN60598-1. With degree of protection according to EN60529.
Energy Label	E

DOWNLOAD

MOUNTS

[AssemblyInstructions EM-KIT 600 03-22.pdf](#)

[AssemblyInstructions 911 03-23.pdf](#)

DESIGNS

[TechnicalDrawing health121.dxf](#)

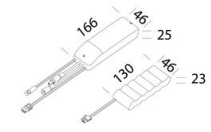


WARRANTY

After sales warranty	3 yr
----------------------	------

911 - Health Dark UGR<19 - ø121

Code: 156474-00



600 EM power supply kit