

993 - Forma - transparent glass

Code: 162447-00

GENERAL INFORMATION

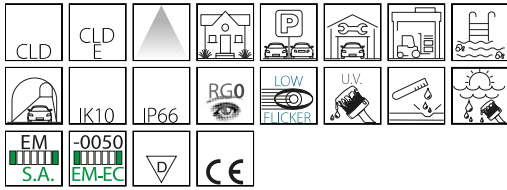
Article	993 - Forma - transparent glass
Code	162447-00

DIMENSIONS AND WEIGHT

Length (mm)	1300 mm
Width (mm)	200 mm
Height (mm)	110 mm
Weight (Kg)	7.2 kg

ELECTRICAL CHARACTERISTICS AND CONTROLS

Voltage type	AC
Min Voltage (V)	220 V
Max Voltage (V)	240 V
Min Frequency (Hz)	50 Hz
Max Frequency (Hz)	60 Hz
Frequency (Hz)	50 Hz
Wiring name	CLD
Power factor	≥0.9
Insulation class	Class I
Controllability	None



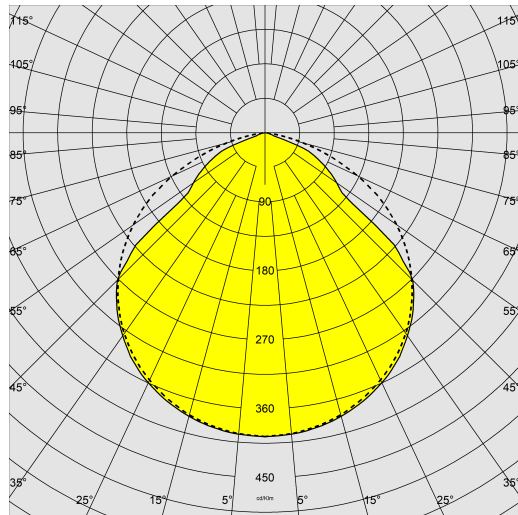
Disano's experience in this sector and the quality of an Italian-made product are also given by the attention to detail. Watertight LED ceiling fixtures for industrial, commercial and food processing facilities. The housing of this fixture is made in one piece of seamless steel, capable of withstanding particularly aggressive environmental conditions. The diffuser in tempered glass or UV-stabilised polycarbonate is attached to the body thanks to a steel fastening mechanism. Extremely fast installation, great energy savings, work safety, and maximum visual comfort. The benefits of new technology are seen in this product that is the result of Disano's vast experience in industrial and commercial lighting. It comes with multiple optics and different combinations, including options in high efficiency, luminous flux, and low flickering, and can be equipped with the most advanced light control systems.



993 - Forma - transparent glass

Code: 162447-00

PHOTOMETRIC DATA



Lighting source	LED
CRI	>80
Luminous flux (output) (lm)	6000 lm
Power absorption (total) (W)	37 W
CCT	4000 K
Luminous efficacy (lm/W)	162 lm/W
Low Flicker	luminaire with very low flicker: evenly distributed light for greater visual safety.
LED flux maintenance	80000 hr, L 90, B 10

MECHANICAL CHARACTERISTICS

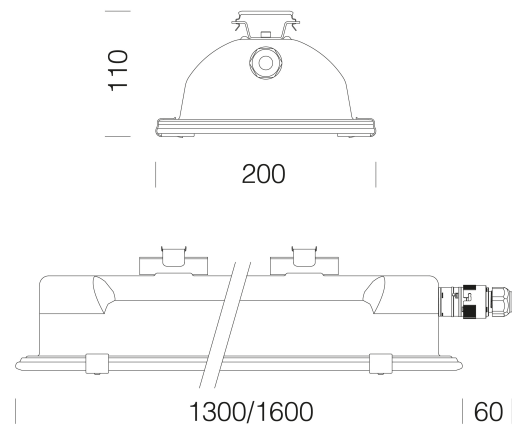
Impact resistance rating (IK)	IK10
IP	66
Ambient temperature - min	-25 °C
Ambient temperature - max	40 °C



993 - Forma - transparent glass

Code: 162447-00

MATERIALS AND COLOURS



Housing	made of pressed steel, drawn in a single piece for high mechanical resistance.
Optics	galvanised steel pre-painted in oven with white polyester resin, UV-stabilised. Fastened to the body with a quick coupling by means of a device machined directly on the body.
Diffuser	tempered glass, 5 mm thick, resistant to thermal shock and impact (UNI EN 12150-1:2001).
Coating	the fully automated powder-coating cycle involves a polyester-based, salt-spray corrosion-resistant and UV-stabilised paint.
Colour	Grey
Equipment	complete with silicone rubber gasket, waterproof connector for quick installation and locking system with spring clips; stainless steel bracket that allows easy and safe installation of the lighting fixture onto the ceiling/wall and spring loop that allows quick connection to any suspension system.

DOWNLOAD

MOUNTS

[AssemblyInstructions 993-995-997-976-977 07-24.pdf](#)

DESIGNS

[BIM 993 Forma - 03-24.zip](#)

[TechnicalDrawing forma 26.dxf](#)



EMERGENCY LIGHTING

Emergency power supply type	Not present
-----------------------------	-------------

STANDARDS AND COMPLIANCE

Photobiological safety class	RG0
Markings and tests	CE
Reference standards	EN 60598-1. They have a degree of protection in accordance with the EN 60529 standard. Ideal for installations with direct exposure to sunlight. The 'D' brand ceiling light is recommended for installation in environments with suspended dust or settled dust.
Energy Label	B

GEAR

Sensors	
Upon request	- Version complete with adjustable bracket (to purchase with sub-code -0074). - CLD-EC wiring for centrally powered emergency lighting, subcode -0050 - EM version of the ceiling light with an external watertight box, subcode -07.

WARRANTY

After sales warranty	5 yr
----------------------	------

993 - Forma - transparent glass

Code: 162447-00



975 Anti-impact grid