

988 - Forma LED HT - High temperature

Code: 162485-00

GENERAL INFORMATION



Article	988 - Forma LED HT - High temperature
Code	162485-00

DIMENSIONS AND WEIGHT

Length (mm)	1593 mm
Width (mm)	190 mm
Height (mm)	92 mm
Weight (Kg)	9.1 kg

ELECTRICAL CHARACTERISTICS AND CONTROLS

Voltage type	AC
Min Voltage (V)	220 V
Max Voltage (V)	240 V
Min Frequency (Hz)	50 Hz
Max Frequency (Hz)	60 Hz
Frequency (Hz)	50 Hz
Wiring name	CLD
Power factor	≥0.9
Insulation class	Class I
Controllability	None



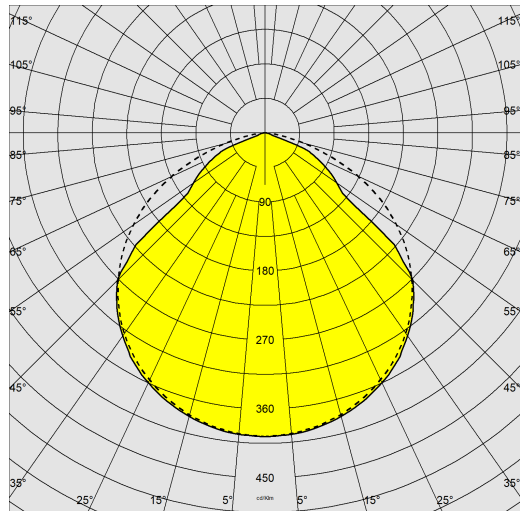
Disano's experience in this sector and the quality of an Italian-made product are also given by the attention to detail. Watertight LED ceiling fixtures for industrial, commercial and food processing facilities. The housing of this fixture is made in one piece of seamless steel, capable of withstanding particularly aggressive environmental conditions. The diffuser in tempered glass or UV-stabilised polycarbonate is attached to the body thanks to a steel fastening mechanism. Extremely fast installation, great energy savings, work safety, and maximum visual comfort. The benefits of new technology are seen in this product that is the result of Disano's vast experience in industrial and commercial lighting. It comes with multiple optics and different combinations, including options in high efficiency, luminous flux, and low flickering, and can be equipped with the most advanced light control systems.



988 - Forma LED HT - High temperature

Code: 162485-00

PHOTOMETRIC DATA



Lighting source	LED
CRI	≥80
Luminous flux (output) (lm)	7274 lm
Power absorption (total) (W)	55 W
CCT	4000 K
Luminous efficacy (lm/W)	132 lm/W
Low Flicker	luminaire with very low flicker: evenly distributed light for greater visual safety.
LED flux maintenance	50000 hr, L 80, B 20

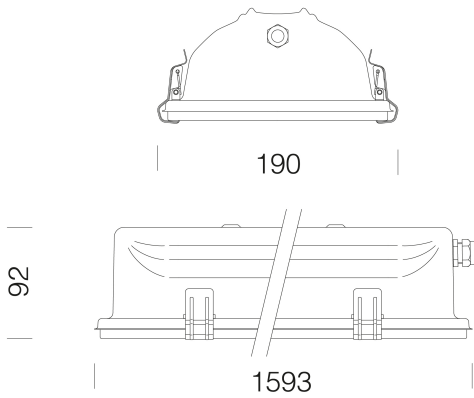
MECHANICAL CHARACTERISTICS

Impact resistance rating (IK)	IK08
IP	66
Ambient temperature - min	-40 °C
Ambient temperature - max	55 °C

988 - Forma LED HT - High temperature

Code: 162485-00

MATERIALS AND COLOURS



Housing	steel, deep-drawn in one piece with high mechanical strength. Complete with highly mechanically resistant pressed steel frame.
Optics	galvanised steel pre-painted in oven with white polyester resin, UV-stabilised. Fastened to the body with a quick coupling by means of a device machined directly on the body.
Diffuser	tempered glass, 5 mm thick, resistant to thermal shock and impact (UNI EN 12150-1:2001).
Coating	polyester powder RAL7035 colour coated, phosphate pre-treatment, resistant to corrosion and salt spray fogs.
Colour	Grey
Equipment	<ul style="list-style-type: none"> - silicone rubber gasket. - Cable gland in nickel-plated brass M20 1/2 gas inch (cable min. diam. 9 max 12). - With steel hooks. - Standard with eyebolt with threaded shank for suspension mounting.

STANDARDS AND COMPLIANCE

Photobiological safety class	RG0
Markings and tests	CE
Reference standards	EN 60598-1. They have a degree of protection in accordance with the EN 60529 standard. Ideal for installations with direct exposure to sunlight.
Energy Label	B

DOWNLOAD

MOUNTS

[AssemblyInstructions forma 03-24.pdf](#)

DESIGNS

[BIM 988 Forma HT.zip](#)

[TechnicalDrawing 988d.dxf](#)



GEAR

Upon request	Version designed for bracket acc. 996 (please order with subcode -0074). - CLD-EC wiring for centrally powered emergency lighting, subcode -0050
--------------	---

WARRANTY

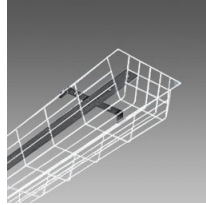
After sales warranty	3 yr
----------------------	------

988 - Forma LED HT - High temperature

Code: 162485-00



996 Adjustable bracket



975 Anti-impact grid