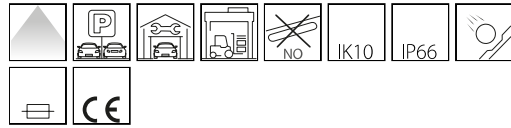


921 - Echo - EQUIPPED FOR LED TUBES

Code: 164532-03

GENERAL INFORMATION



Article	921 - Echo - EQUIPPED FOR LED TUBES
Code	164532-03

DIMENSIONS AND WEIGHT

Length (mm)	1600 mm
Width (mm)	92 mm
Height (mm)	97 mm
Weight (Kg)	1.8 kg

ELECTRICAL CHARACTERISTICS AND CONTROLS

Voltage type	AC
Min Voltage (V)	220 V
Max Voltage (V)	240 V
Frequency (Hz)	0 Hz
Wiring name	CLD-S
Power factor	>0
Insulation class	Class I
Controllability	None



The family of LED watertight fixtures is updated with the addition of the model specially designed for LED tubes. This version is ideal for relamping existing systems, offering lower energy costs and the distinctive reliability and robustness of Disano's lighting products. These ceiling fixtures are supplied without LED tube, which must be purchased separately with G13 connection.



921 - Echo - EQUIPPED FOR LED TUBES

Code: 164532-03

PHOTOMETRIC DATA

Lighting source	LED TUBE max 24W
CCT	0 K
LED flux maintenance	0 hr, L 0, B 0

MECHANICAL CHARACTERISTICS

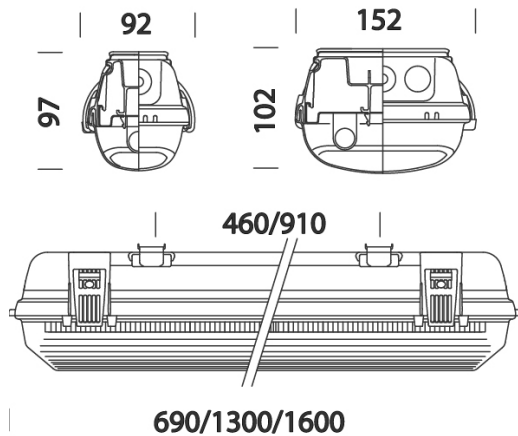
Impact resistance rating (IK)	IK10
IP	66



921 - Echo - EQUIPPED FOR LED TUBES

Code: 164532-03

MATERIALS AND COLOURS



DOWNLOAD

MOUNTS

[AssemblyInstructions 921 tubes 09-23.pdf](#)

DESIGNS

[TechnicalDrawing 920.dxf](#)



Housing	injection-moulded, made of grey RAL 7035 polycarbonate, shatterproof, UV-stabilised, with high mechanical strength thanks to the structure reinforced by internal ribs.
Optics	galvanised steel pre-painted in oven with white polyester resin, UV-stabilised. Fastened to the body with a quick coupling by means of a device machined directly on the body.
Diffuser	injection-moulded in polycarbonate with internal grooves for greater light control, self-extinguishing V2, UV-stabilised, smooth outer finish to enable easy cleaning for maximum light efficiency.
Colour	Grey
Equipment	<ul style="list-style-type: none"> - sealing gasket in eco-friendly, anti-aging expanded polyurethane foam - ceiling mounting brackets and suspension hook in stainless steel - plug-socket connector - snap hooks and safety screws in stainless steel <p>ATTENTION ! Do not install on surfaces subject to strong vibrations, outdoors on hanging cables, or on walls under metallic grates, or on poles, and in any case, never expose the fixture to direct sunlight. Check the compatibility between the material constituting the product and the space where it will be installed. We recommend the use of fixtures made of steel with direct exposure to sunlight.</p>

EMERGENCY LIGHTING

Emergency power supply type	Not present
-----------------------------	-------------

STANDARDS AND COMPLIANCE

Photobiological safety class	RG0
Markings and tests	CE
Reference standards	EN60598-1. They have a degree of protection according to the EN60529 standard.

WARRANTY

After sales warranty	3 yr
----------------------	------