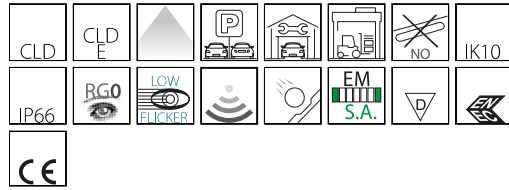


## 927 - Echo 3000K 6500K - double module

Code: 164705-0083

### GENERAL INFORMATION



Article	927 - Echo 3000K 6500K - double module
Code	164705-0083

### DIMENSIONS AND WEIGHT

Length (mm)	1600 mm
Width (mm)	152 mm
Height (mm)	102 mm
Weight (Kg)	2.7 kg

### ELECTRICAL CHARACTERISTICS AND CONTROLS

Voltage type	AC
Min Voltage (V)	220 V
Max Voltage (V)	240 V
Min Frequency (Hz)	50 Hz
Max Frequency (Hz)	60 Hz
Frequency (Hz)	50 Hz
Wiring name	CLD
Power factor	≥0.9
Insulation class	Class I
Controllability	None



Disano's watertight fixtures are built from the company's extensive experience, skill and reliability as a global leader in the manufacturing of specialised lighting products. These basic features have contributed to the success of Disano's watertight fixtures over the years. The lamp's body is made of shatter-proof polycarbonate, with an IP66 protection, and high mechanical strength due to the structure reinforced by internal ribs. Installation is made easy thanks to the stainless steel bracket supplied as standard for ceiling mounting, while the spring hook allows quick attachment to any chain suspension system. Moreover, special toothed guides allow the perfect alignment of fixtures mounted in a continuous row.

In addition to these basic features you will find all the advantages of the LED technology, i.e. light sources with a very long service life, low power consumption and great light quality.

The polycarbonate WATERTIGHT FIXTURES have an IP66IK10 rating when installed in environments with temperatures not exceeding 45 °C. Direct exposure to sunlight may exceed 45 °C, compromising the protection rating. However, it is advisable to use them appropriately without altering their mechanical and protective qualities (IP66IK10) and not to install them on surfaces subject to strong vibration, or exposed to atmospheric agents, outdoors on ropes or poles, on walls, under metal gratings or directly exposed to sunlight. If this is not possible, use the steel watertight fixtures instead.



## 927 - Echo 3000K 6500K - double module

Code: 164705-0083

### PHOTOMETRIC DATA



Lighting source	LED
CRI	>80
Luminous flux (output) (lm)	7913 lm
Power absorption (total) (W)	40 W
CCT	6500 K
Luminous efficacy (lm/W)	198 lm/W
Low Flicker	luminaire with very low flicker: evenly distributed light for greater visual safety.
Colour consistency	SDCM3
LED flux maintenance	80000 hr, L 90, B 10

### MECHANICAL CHARACTERISTICS

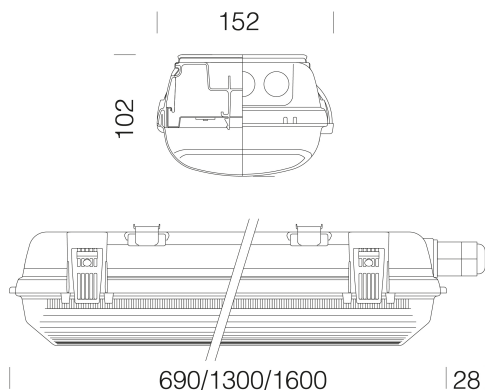
Impact resistance rating (IK)	IK10
IP	66
Ambient temperature - min	-30 °C
Ambient temperature - max	40 °C



# 927 - Echo 3000K 6500K - double module

Code: 164705-0083

## MATERIALS AND COLOURS



### DOWNLOAD

#### MOUNTS

[AssemblyInstructions echo 01-25.pdf](#)

#### DESIGNS

[BIM 927 Echo - 2-lamp 3000-6500.zip](#)

[TechnicalDrawing echobila.dxf](#)



Housing	injection-moulded, made of grey RAL 7035 polycarbonate, shatterproof, UV-stabilised, with high mechanical strength thanks to the structure reinforced by internal ribs.
Optics	galvanised steel pre-painted in oven with white polyester resin, UV-stabilised. Fastened to the body with a quick coupling by means of a device machined directly on the body.
Diffuser	injection-moulded in polycarbonate with internal grooves for greater light control, self-extinguishing V2, UV-stabilised, smooth outer finish to enable easy cleaning for maximum light efficiency.
Colour	Grey
Equipment	<ul style="list-style-type: none"> <li>- sealing gasket in eco-friendly, anti-aging expanded polyurethane foam</li> <li>- ceiling mounting brackets and suspension hook in stainless steel</li> <li>- quick connector</li> <li>- snap hooks and safety screws in stainless steel</li> </ul>
<p><b>ATTENTION !</b>            Do not install on surfaces subject to strong vibrations, outdoors on hanging cables, or on walls under metallic grates, or on poles, and in any case, never expose the fixture to direct sunlight.            Check the compatibility between the material constituting the product and the space where it will be installed.            We recommend the use of fixtures made of steel with direct exposure to sunlight.</p>	

## EMERGENCY LIGHTING

Emergency power supply type	Not present
-----------------------------	-------------

## STANDARDS AND COMPLIANCE

Photobiological safety class	RG0
Markings and tests	CE, ENEC
Reference standards	<p>EN60598-1. With degree of protection according to EN60529. The lighting fixture meets all IFS and BRC requirements, and the regulation of the HACCP Directive regarding lighting systems installed in food processing plants.</p> <p>Version -0050: device designed for power supply with centralized emergency system (AC/DC) in accordance with standard EN 60598-2-22. The 'D' brand ceiling light is recommended for installation in environments with suspended dust or settled dust.</p>
Laboratory Tests	<ul style="list-style-type: none"> <li>- the UL 94 Standard is considered a reference for rating the ignition characteristics of plastic materials. The watertight fixtures are made of V2 class material that self-extinguishes in 25 seconds.</li> <li>- passes the Glow Wire Test at 850 °C.</li> </ul>
Energy Label	C

## GEAR

Sensors	
Upon request	<ul style="list-style-type: none"> <li>- version with wire feedthrough, dimmable.</li> <li>- narrow beam version (subcode 22)</li> <li>- radar sensor, subcode -19</li> </ul>

## WARRANTY

After sales warranty	5 yr
----------------------	------

**927 - Echo 3000K 6500K - double module**

---

Code: 164705-0083

