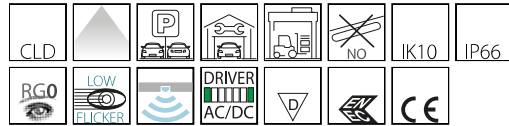


960 - Hydro HP - AC/DC driver

Code: 164752-19

GENERAL INFORMATION



Disano Group's vast technological experience in the design and industrial production of lighting fixtures has led to the development of its new range of watertight LED fixtures. New Hydro LED is characterised by a modern design that blends well into any setting.

The main innovation is the standard inclusion of a driver designed for AC/DC operation, making the Hydro 960 immediately compatible with centralized emergency systems. Another key strength is the quick connection system, designed to drastically reduce installation time and costs. Thanks to the connector, the connection to the electrical system is simple, fast, and safe.



Article	960 - Hydro HP - AC/DC driver
Code	164752-19

DIMENSIONS AND WEIGHT

Length (mm)	1260 mm
Width (mm)	120 mm
Height (mm)	102 mm
Weight (Kg)	1.9 kg

ELECTRICAL CHARACTERISTICS AND CONTROLS

Voltage type	AC
Min Voltage (V)	168 V
Max Voltage (V)	264 V
Min Frequency (Hz)	50 Hz
Max Frequency (Hz)	60 Hz
Frequency (Hz)	50 Hz
Wiring name	CLD

Wiring	<p>AC/DC driver</p> <p>The device can operate correctly with power supplies within specific voltage ranges:</p> <ul style="list-style-type: none"> • 198 ÷ 264 V AC (alternating current): it operates with an alternating voltage between 198 and 264 volts. This range includes the standard European 230 V AC mains with its tolerances. • 168 ÷ 275 V DC (direct current): it also operates with a direct voltage between 168 and 275 volts. This is particularly useful for connection to centralized emergency systems, which often power lighting fixtures with direct current when the mains supply fails. <p>The presence of the AC/DC driver allows the device to be powered both from the normal mains supply (230 V AC) and from a DC emergency line (168–275 V DC), without the need for additional devices or dedicated versions.</p>
Power factor	≥0.95
Insulation class	Class I
Controllability	None

960 - Hydro HP - AC/DC driver

Code: 164752-19

PHOTOMETRIC DATA



Lighting source	LED
CRI	>80
Luminous flux (output) (lm)	4610 lm
Power absorption (total) (W)	23 W
CCT	4000 K
Low Flicker	luminaire with very low flicker: evenly distributed light for greater visual safety.
LED flux maintenance	100000 hr, L 90, B 10

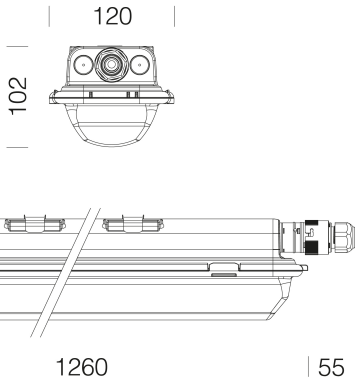
MECHANICAL CHARACTERISTICS

Impact resistance rating (IK)	IK10
IP	66
Ambient temperature - min	-30 °C
Ambient temperature - max	40 °C

960 - Hydro HP - AC/DC driver

Code: 164752-19

MATERIALS AND COLOURS



Housing	injection-moulded, made of grey RAL 7035 polycarbonate, shatterproof, UV-stabilised, with high mechanical strength thanks to the structure reinforced by internal ribs.
Optics	galvanised steel pre-painted in oven with white polyester resin, UV-stabilised. Fastened to the body with a quick coupling by means of a device machined directly on the body.
Diffuser	injection-moulded in polycarbonate with internal grooves for greater light control, self-extinguishing V2, UV-stabilised, smooth outer finish to enable easy cleaning for maximum light efficiency.
Colour	Grey
Equipment	<ul style="list-style-type: none"> - sealing gasket in eco-friendly, anti-aging expanded polyurethane foam - ceiling mounting brackets and suspension hook in stainless steel - quick connector - clamp and safety screws in stainless steel - As standard, the fixture is equipped with an AC/DC driver, powered by a centralised emergency system, which is not incorporated into the fixture - AC power supply: 198/264V - DC power supply: 168/275V

DOWNLOAD

MOUNTS

[AssemblyInstructions hydro-thema 02-26.pdf](#)

DESIGNS

[TechnicalDrawing 960 26.dxf](#)



ATTENTION !

Do not install on surfaces subject to strong vibrations, outdoors on hanging cables, or on walls under metallic grates, or on poles, and in any case, never expose the fixture to direct sunlight. Check the compatibility between the material constituting the product and the space where it will be installed. We recommend the use of fixtures made of steel with direct exposure to sunlight.

EMERGENCY LIGHTING

Emergency power supply type	Centralised system with battery
Type of emergency	S.A.

STANDARDS AND COMPLIANCE

Photobiological safety class	RG0
Markings and tests	CE, ENEC
Reference standards	EN60598-1. EN60598-2-22. With degree of protection according to EN60529. The lighting fixture meets all IFS and BRC requirements, and the regulation of the HACCP Directive regarding lighting systems installed in food processing plants. The 'D' brand ceiling light is recommended for installation in environments with suspended dust or settled dust.
Laboratory Tests	<ul style="list-style-type: none"> - the UL 94 Standard is considered a reference for rating the ignition characteristics of plastic materials. The watertight fixtures are made of V2 class material that self-extinguishes in 25 seconds. - passes the Glow Wire Test at 850 °C.
Energy Label	B

GEAR

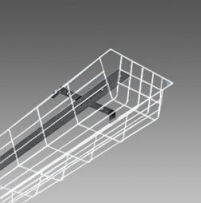
Sensors	
Upon request	<ul style="list-style-type: none"> - narrow beam, subcode -22 - continuous row with connector on both ends, subcode -0072 - radar sensor for ON-OFF watertight fixtures, subcode -19 (remote control cod. 81418618 to be purchased separately, that allows changing the parameters even after installation is complete and without the need to directly access the fixture).

WARRANTY

After sales warranty	3 yr
----------------------	------

960 - Hydro HP - AC/DC driver

Code: 164752-19



975 Anti-impact grid



6036 Universal connection



978 Wall bracket