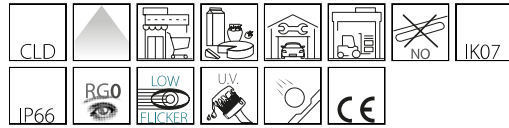


972 - Hydro Style - highly resistant to chemicals

Code: 164790-00

GENERAL INFORMATION



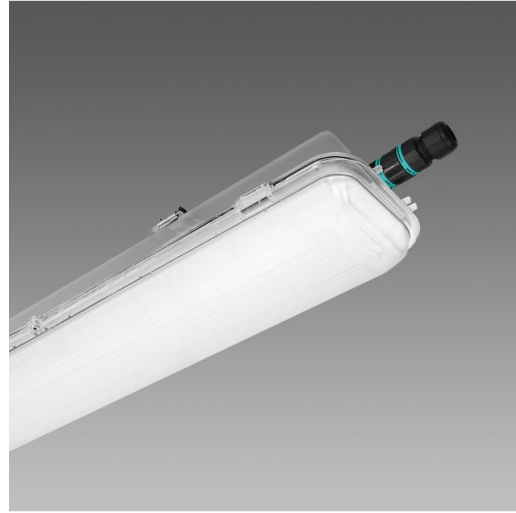
Article	972 - Hydro Style - highly resistant to chemicals
Code	164790-00

DIMENSIONS AND WEIGHT

Length (mm)	1260 mm
Width (mm)	120 mm
Height (mm)	102 mm
Weight (Kg)	2.364 kg

ELECTRICAL CHARACTERISTICS AND CONTROLS

Voltage type	AC
Min Voltage (V)	220 V
Max Voltage (V)	240 V
Min Frequency (Hz)	50 Hz
Max Frequency (Hz)	60 Hz
Frequency (Hz)	50 Hz
Wiring name	CLD
Power factor	≥0.95
Insulation class	Class I
Controllability	None



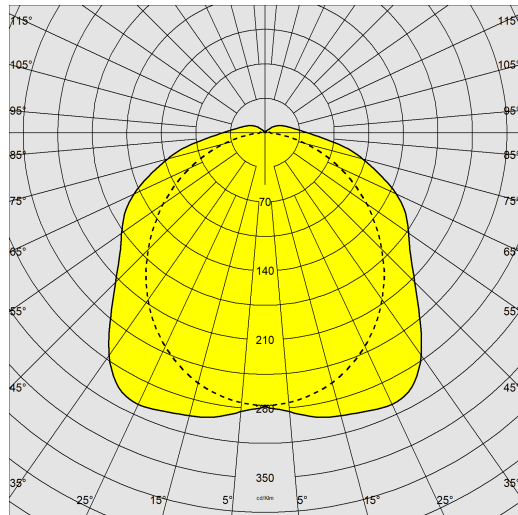
972 Hydro style: special version for environments with the presence of chemical substances, gases and vapours, such as storage warehouses, chemical industries, food processing plants or covered outdoor areas (livestock farms). In these cases, there is a body and a transparent shield made of a special material capable of resisting chemical agents (ammonia, alkaline products, soapy detergents, alcohol and diesel oil - see table).



972 - Hydro Style - highly resistant to chemicals

Code: 164790-00

PHOTOMETRIC DATA



Lighting source	LED
CRI	≥80
Luminous flux (output) (lm)	5547 lm
Power absorption (total) (W)	31 W
CCT	4000 K
Luminous efficacy (lm/W)	179 lm/W
Low Flicker	luminaire with very low flicker: evenly distributed light for greater visual safety.
Colour consistency	SDCM3
LED flux maintenance	50000 hr, L 80, B 20

MECHANICAL CHARACTERISTICS

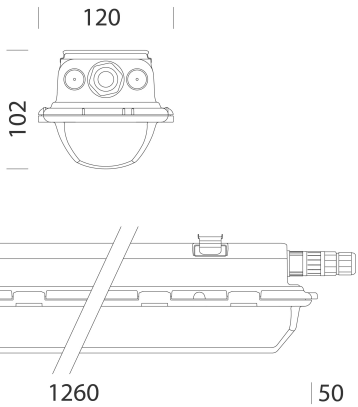
Impact resistance rating (IK)	IK07
IP	66
Ambient temperature - min	-20 °C
Ambient temperature - max	35 °C



972 - Hydro Style - highly resistant to chemicals

Code: 164790-00

MATERIALS AND COLOURS



Housing	made of high light-transmitting copolyester.
Optics	galvanised steel pre-painted in oven with white polyester resin, UV-stabilised. Fastened to the body with a quick coupling by means of a device machined directly on the body.
Diffuser	made of high light-transmitting copolyester.
Colour	Transparent
Equipment	<ul style="list-style-type: none"> - sealing gasket in eco-friendly, anti-aging expanded polyurethane foam - ceiling mounting brackets and suspension hook in stainless steel - plug-socket connector - clamp and safety screws in stainless steel

ATTENTION !

Do not install on surfaces subject to strong vibrations, outdoors on hanging cables, or on walls under metallic grates, or on poles, and in any case, never expose the fixture to direct sunlight.

Check the compatibility between the material constituting the product and the space where it will be installed.

We recommend the use of fixtures made of steel with direct exposure to sunlight.

DOWNLOAD

MOUNTS

[AssemblyInstructions 972 03-23.pdf](#)

DESIGNS

[TechnicalDrawing 972.dxf](#)



STANDARDS AND COMPLIANCE

Photobiological safety class	RG0
Markings and tests	CE
Reference standards	EN60598-1. With degree of protection according to EN60529. The lighting fixture meets all IFS and BRC requirements, and the regulation of the HACCP Directive regarding lighting systems installed in food processing plants.
Laboratory Tests	<ul style="list-style-type: none"> - the UL 94 Standard is considered a reference for rating the ignition characteristics of plastic materials. The watertight fixtures are made of V2 class material that self-extinguishes in 25 seconds. - passes the Glow Wire Test at 850 °C.
Energy Label	C

WARRANTY

After sales warranty	3 yr
----------------------	------