

975 - Anti-impact grid

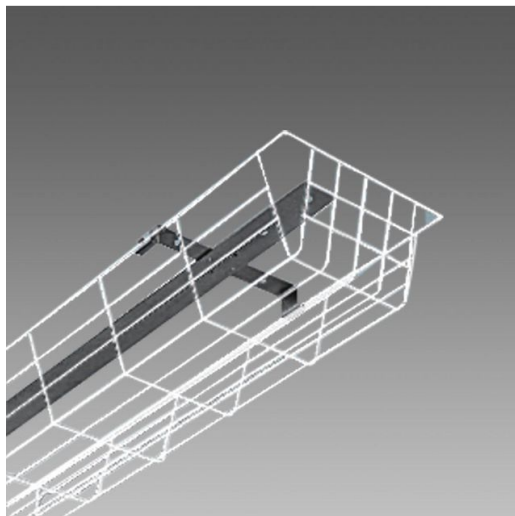
Code: 165566-00

GENERAL INFORMATION

Article	975 - Anti-impact grid
Code	165566-00

DIMENSIONS AND WEIGHT

Length (mm)	1300 mm
Width (mm)	195 mm
Height (mm)	140 mm
Weight (Kg)	1.2 kg



in white plasticized steel rod. Anti-impact grid to be attached directly to the ceiling.



975 - Anti-impact grid

Code: 165566-00

PHOTOMETRIC DATA

Lighting source

FL 2x36



975 - Anti-impact grid

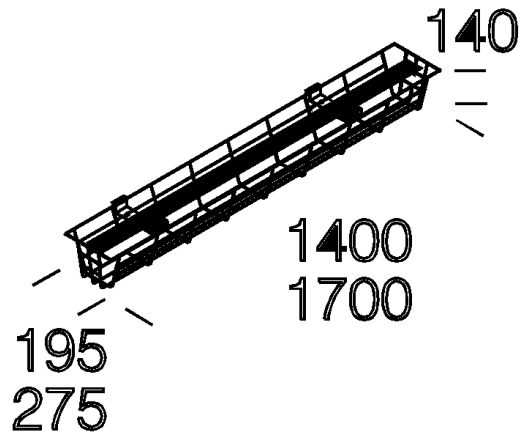
Code: 165566-00

MATERIALS AND COLOURS

Housing	in white plasticized steel rod. Anti-impact grid to be attached directly to the ceiling.
Coating	painted with epoxy cataphoresis.
Colour	White

WARRANTY

After sales warranty	0 yr
----------------------	------



DOWNLOAD

DESIGNS

TechnicalDrawing d975.dxf



975 - Anti-impact grid

Code: 165566-00



983 Forma LED - without hooks for the food industry



988 Forma LED HT - High temperature



993 Forma LED - transparent glass



995 Forma LED - acid-etched glass



997 Forma LED - with polycarbonate diffuser



971 Ottima - High Performance



974 Ottima - Energy Saving



970 Thema - LED



960 Hydro LED - Money Saving



963 Hydro LED - High Performance



965 Hydro ICE-HT - high-low temperature



963 Hydro LED - High Performance - FS