

## 6401 - Rapid system UV-C - with selector switch

Code: 237531-69

### GENERAL INFORMATION



Article	6401 - Rapid system UV-C - with selector switch
Code	237531-69

### DIMENSIONS AND WEIGHT

Length (mm)	1238 mm
Width (mm)	46 mm
Height (mm)	88 mm
Weight (Kg)	1.5 kg

### ELECTRICAL CHARACTERISTICS AND CONTROLS

Voltage type	AC
Min Voltage (V)	220 V
Max Voltage (V)	240 V
Min Frequency (Hz)	50 Hz
Max Frequency (Hz)	60 Hz
Frequency (Hz)	50 Hz
Wiring name	CLD
Power factor	≥0.9
Insulation class	Class I
Controllability	None



Ultraviolet radiation can eliminate viruses and bacteria that settle in our indoor environments and surfaces. It is an ecological and easy means of disinfection. Disano presents a series of UV lamps that can be simply connected to your existing lighting system. This type of application requires the supervision of qualified installers to assess the safety of the system, which can be used only in the absence of people inside the room. The lamps are equipped with separate switches: one for general lighting, the other for UV sanitisation. The UV module also incorporates a safety indicator



## 6401 - Rapid system UV-C - with selector switch

Code: 237531-69

### PHOTOMETRIC DATA



Lighting source	FL T8 UV-C 38W
Power absorption (total) (W)	38 W
CCT	0 K
Low Flicker	luminaire with very low flicker: evenly distributed light for greater visual safety.
LED flux maintenance	30000 hr, L 0, B 0

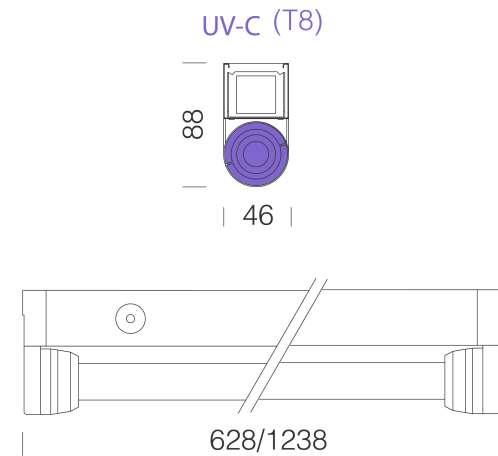
### MECHANICAL CHARACTERISTICS

Impact resistance rating (IK)	IK07
IP	40

## 6401 - Rapid system UV-C - with selector switch

Code: 237531-69

### MATERIALS AND COLOURS



Housing	in galvanized rolled steel, with anti-cutting turned-up edges and ABS end caps.
Coating	pre-painted in oven with polyester resin, UV-stabilised, phosphate pre-treatment.
Colour	White
Equipment	UV-C modules are more aggressive than UV-A modules and therefore sanitize rooms faster. We recommend the installation of special absence sensors so that the UV-C modules only operate when people are not present.

### STANDARDS AND COMPLIANCE

Photobiological safety class	RG0
Markings and tests	CE
Reference standards	EN60598-1. They have a degree of protection according to the EN60529 standard.

### DOWNLOAD

DESIGNS

TechnicalDrawing 6401uv.dxf



### WARRANTY

After sales warranty	3 yr
----------------------	------