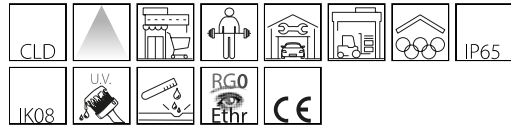


1172 - Argon LED COB

Code: 322653-00

GENERAL INFORMATION



Article	1172 - Argon LED COB
Code	322653-00

DIMENSIONS AND WEIGHT

Height (mm)	525 mm
Diameter (Ø) (mm)	500 mm
Weight (Kg)	9 kg

ELECTRICAL CHARACTERISTICS AND CONTROLS

Voltage type	AC
Min Voltage (V)	220 V
Max Voltage (V)	240 V
Min Frequency (Hz)	50 Hz
Max Frequency (Hz)	60 Hz
Frequency (Hz)	50 Hz
Wiring name	CLD
Power factor	≥0.9
Insulation class	Class I
Controllability	None



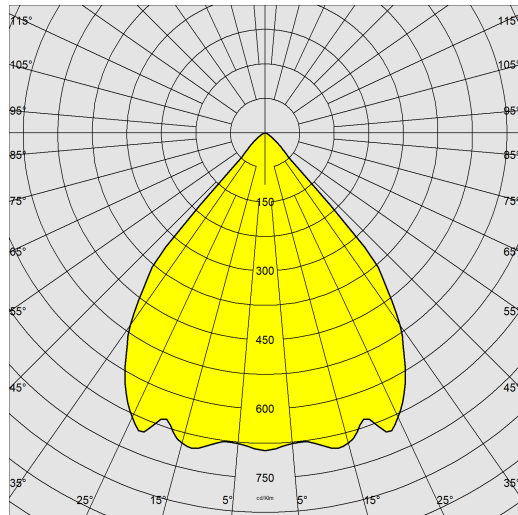
1172 Argon LED COB



1172 - Argon LED COB

Code: 322653-00

PHOTOMETRIC DATA



Lighting source	LED COB
CRI	>80
Luminous flux (output) (lm)	13500 lm
Power absorption (total) (W)	115 W
CCT	4000 K
Luminous efficacy (lm/W)	117 lm/W
LED flux maintenance	50000 hr, L 80, B 20

MECHANICAL CHARACTERISTICS

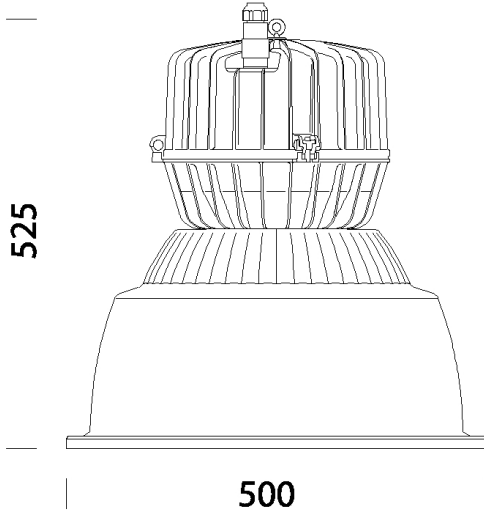
Impact resistance rating (IK)	IK08
IP	65



1172 - Argon LED COB

Code: 322653-00

MATERIALS AND COLOURS



Housing	in die-cast aluminium with cooling fins integrated in the cover.
Optics	anodised and polished 99.85 aluminium.
Diffuser	protective tempered glass, 5 mm thick, resistant to thermal shock and impact.
Heat sink	cooling fins integrated in the cover.
Coating	the fully automated powder-coating cycle involves a polyester-based, salt-spray corrosion-resistant and UV-stabilised paint.
Colour	Grey
Equipment	waterproof connector for quick installation with no need to open the fixture

STANDARDS AND COMPLIANCE

Photobiological safety class	RG0 Ethr
Markings and tests	CE
Reference standards	EN60598-1. They have a degree of protection according to the EN60529 standard.
Energy Label	C

[DOWNLOAD](#)

MOUNTS

[AssemblyInstructions 1172 02-23.pdf](#)

DESIGNS

[TechnicalDrawing 1172i.dxf](#)

WARRANTY

After sales warranty	5 yr
----------------------	------



1172 - Argon LED COB

Code: 322653-00



1122 Protection grid