

## 3483 - Mini Giovi AMBRA - large areas

Code: 331052-44



Mini Giovi represents the latest generation of LED street lamps designed to fit the new light sources and the most advanced lighting control and management systems. Its housing in die-cast aluminium offers very little resistance to wind with its cooling fins specifically studied to allow optimal heat dissipation and efficient LED operation.



### GENERAL INFORMATION

Article	3483 - Mini Giovi AMBRA - large areas
Code	331052-44

### DIMENSIONS AND WEIGHT

Length (mm)	558 mm
Width (mm)	293 mm
Height (mm)	115 mm
Weight (Kg)	6.6 kg

### INSTALLATION

Diameter (Ø) of pole connector (mm)	46-76 mm
Surface exposed to wind (mm)	L 49500 mm <sup>2</sup> , F 155100 mm <sup>2</sup>

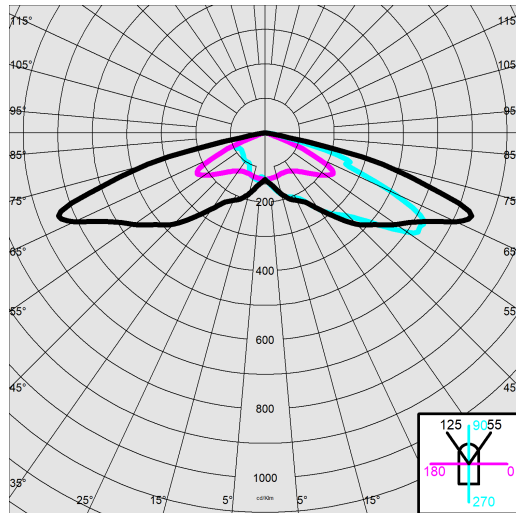
### ELECTRICAL CHARACTERISTICS AND CONTROLS

Voltage type	AC
Min Voltage (V)	220 V
Max Voltage (V)	240 V
Min Frequency (Hz)	50 Hz
Max Frequency (Hz)	60 Hz
Frequency (Hz)	50 Hz
Wiring name	CLD
Power factor	≥0.9
Rated Current	200 mA
Surge protector (common) (EN 61547)	6 kV, 10 kV
Insulation class	Class II
Controllability	None

## 3483 - Mini Giovi AMBRA - large areas

Code: 331052-44

### PHOTOMETRIC DATA



Distribution type	Asymmetric
Lighting source	LED AMBER
CRI	amber
Luminous flux (output) (lm)	10422 lm
Power absorption (total) (W)	115 W
CCT	1750 K
Luminous efficacy (lm/W)	91 lm/W
Low Flicker	luminaire with very low flicker: evenly distributed light for greater visual safety.
LED flux maintenance	60000 hr, L 80, B 10

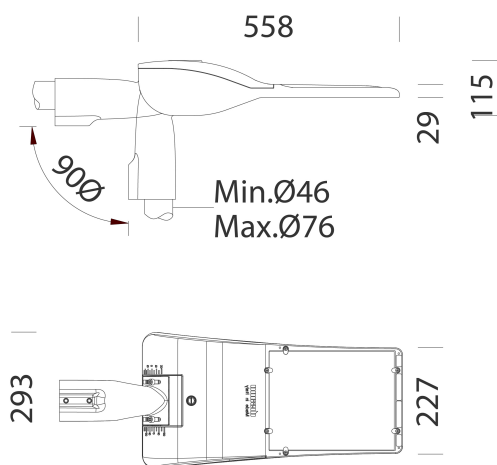
### MECHANICAL CHARACTERISTICS

Impact resistance rating (IK)	IK09
IP	66
Ambient temperature - min	-30 °C
Ambient temperature - max	50 °C



## 3483 - Mini Giovi AMBRA - large areas

Code: 331052-44



### DOWNLOAD

#### MOUNTS

[AssemblyInstructions giovi - minigiovi 02-26.pdf](#)

#### DESIGNS

[BIM 3483 MiniGiovi AMBER - 04-24.zip](#)

[TechnicalDrawing minigiovi.dxf](#)



### MATERIALS AND COLOURS

Housing	EN-AB 47100 die-cast aluminium and designed with a very small surface exposed to wind. Cooling fins integrated in the cover. The lid can be removed to access the electrical components.
Optics	in high-performance PMMA resistant to high temperatures and UV rays.
Diffuser	extra-clear, tempered glass, 4 mm thick, resistant to thermal shock and impact (UNI-EN 12150-1:2001).
Heat sink	the heat sink is designed and made to allow the LEDs to operate at temperatures capable of ensuring excellent performance/output and long service life.
Pole connection	in die-cast aluminium for poles with a diameter between min. 46 mm and max. 76 mm, adjustable from -20° to +10° for side-mount applications; and from 0° to +20° for top-mount applications. Tilt pitch 5°.
Coating	the fully automated powder-coating cycle involves a polyester-based, salt-spray corrosion-resistant and UV-stabilised paint., Anthracite = RAL 7021
Special coating (UPON REQUEST)	Upon request: protective coating recommended for marine environments within 5 km (3 miles) of the sea.
Colour	Anthracite
Equipment	<ul style="list-style-type: none"> <li>- waterproof connector for quick installation with no need to open the fixture.</li> <li>- anti-condensation valve.</li> <li>- temperature controller with auto-reset.</li> <li>- EN 61547 compliant surge protection.</li> <li>- ADVANCED PROG built-in functions.</li> </ul>

### EMERGENCY LIGHTING

Emergency power supply type	Not present
-----------------------------	-------------

### STANDARDS AND COMPLIANCE

Photobiological safety class	RG0 Ethr
Markings and tests	ENEC+, CE, ENEC, ZHAGA D4i
Reference standards	EN60598-1. With degree of protection according to EN60529. Registered Design DM/100271.
Laboratory Tests	compliant with third-party certified vibration tests pursuant to ANSI C136.31: Street Lighting - Luminaire Vibration. Test level: 3.0G Level 2 for bridge/overpass applications.
Energy Label	C

### GEAR

Sensors	
Upon request	<ul style="list-style-type: none"> <li>- virtual midnight device, subcode -30</li> <li>- Nema Socket, subcode -40 (cap to be ordered separately)</li> <li>- Zhaga Socket, subcode -0054 (cap included)</li> </ul>

### WARRANTY

After sales warranty	5 yr
----------------------	------

## 3483 - Mini Giovi AMBRA - large areas

Code: 331052-44



**504 Single arm**



**508 Double arm**



**1491 Pole to be buried**



**1493 Pole with base**



**1477 Urban Pole - with base**



**1478 Urban Pole to be buried**



**1508 Fluted pole Ø 120 with base**



**1509 Fluted pole Ø 120**