

## 3487 - Mini Giovi right (RH) - pedestrian crossings

Code: 331090-00

### GENERAL INFORMATION



|         |   |
|---------|---|
| Article | 3487 - Mini Giovi right (RH) - pedestrian crossings |
| Code    | 331090-00   |

### DIMENSIONS AND WEIGHT

|             |        |
|-------------|--------|
| Length (mm) | 558 mm |
| Width (mm)  | 293 mm |
| Height (mm) | 115 mm |
| Weight (Kg) | 6 kg   |

### INSTALLATION

|                                     |  |
|-------------------------------------|--|
| Diameter (Ø) of pole connector (mm) | 46-76 mm   |
| Surface exposed to wind (mm)        | L 49500 mm <sup>2</sup> , F 155100 mm <sup>2</sup> |

### ELECTRICAL CHARACTERISTICS AND CONTROLS

|                                     |             |
|-------------------------------------|-------------|
| Voltage type                        | AC          |
| Min Voltage (V)                     | 220 V       |
| Max Voltage (V)                     | 240 V       |
| Min Frequency (Hz)                  | 50 Hz       |
| Max Frequency (Hz)                  | 60 Hz       |
| Frequency (Hz)                      | 50 Hz       |
| Wiring name                         | CLD         |
| Power factor                        | ≥0.9        |
| Rated Current                       | 700 mA      |
| Surge protector (common) (EN 61547) | 6 kV, 10 kV |
| Insulation class                    | Class II    |
| Controllability                     | None        |



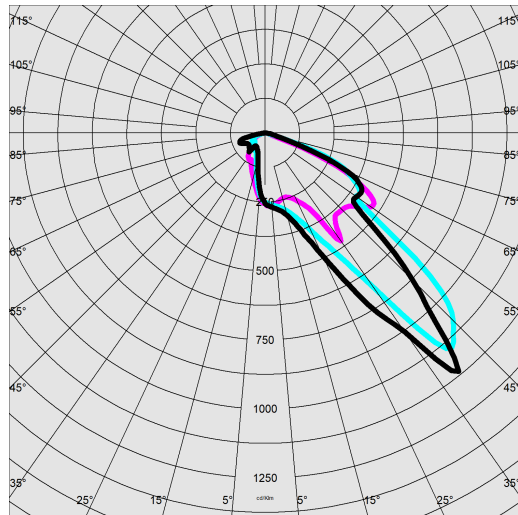
Mini Giovi represents the latest generation of LED street lamps designed to fit the new light sources and the most advanced lighting control and management systems. Its housing in die-cast aluminium offers very little resistance to wind with its cooling fins specifically studied to allow optimal heat dissipation and efficient LED operation.



## 3487 - Mini Giovi right (RH) - pedestrian crossings

Code: 331090-00

### PHOTOMETRIC DATA



|                              |  |
|------------------------------|--|
| Distribution type            | Asymmetric   |
| Lighting source              | LED  |
| CRI                          | 70   |
| Luminous flux (output) (lm)  | 5337 lm  |
| Power absorption (total) (W) | 33 W   |
| CCT                          | 4000 K   |
| Luminous efficacy (lm/W)     | 162 lm/W   |
| Low Flicker                  | luminaire with very low flicker: evenly distributed light for greater visual safety. |
| LED flux maintenance         | 100000 hr, L 90, B 10  |

### MECHANICAL CHARACTERISTICS

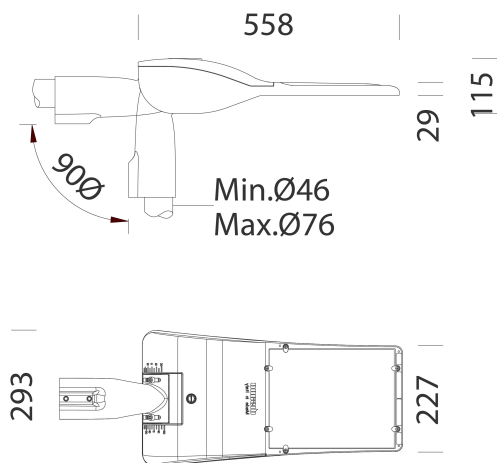
|                               |        |
|-------------------------------|--------|
| Impact resistance rating (IK) | IK09   |
| IP                            | 66     |
| Ambient temperature - min     | -30 °C |
| Ambient temperature - max     | 50 °C  |



## 3487 - Mini Giovi right (RH) - pedestrian crossings

Code: 331090-00

### MATERIALS AND COLOURS



### DOWNLOAD

#### MOUNTS

[AssemblyInstructions giovi - minigiovi 09-22.pdf](#)

#### DESIGNS

[BIM 3487 MiniGiovi right - 04-24.zip](#)

[TechnicalDrawing minigiovi.dxf](#)



|                                |   |
|--------------------------------|---|
| Housing                        | EN-AB 47100 die-cast aluminium and designed with a very small surface exposed to wind. Cooling fins integrated in the cover. The lid can be removed to access the electrical components.  |
| Optics                         | in high-performance PMMA resistant to high temperatures and UV rays.  |
| Diffuser                       | extra-clear, tempered glass, 4 mm thick, resistant to thermal shock and impact (UNI-EN 12150-1:2001).   |
| Heat sink                      | the heat sink is designed and made to allow the LEDs to operate at temperatures capable of ensuring excellent performance/output and long service life.   |
| Pole connection                | in die-cast aluminium for poles with a diameter between min. 46 mm and max. 76 mm, adjustable from -20° to +10° for side-mount applications; and from 0° to +20° for top-mount applications. Tilt pitch 5°.   |
| Coating                        | the fully automated powder-coating cycle involves a polyester-based, salt-spray corrosion-resistant and UV-stabilised paint.  |
| Special coating (UPON REQUEST) | Upon request: protective coating recommended for marine environments within 5 km (3 miles) of the sea.  |
| Colour                         | Graphite  |
| Equipment                      | <ul style="list-style-type: none"> <li>- waterproof connector for quick installation with no need to open the fixture.</li> <li>- anti-condensation valve.</li> <li>- temperature controller with auto-reset.</li> <li>- EN 61547 compliant surge protection.</li> <li>- ADVANCED PROG built-in functions.</li> </ul> |

### STANDARDS AND COMPLIANCE

|                              |  |
|------------------------------|--|
| Photobiological safety class | RG0 Ethr   |
| Markings and tests           | CE, ENEC+, ZHAGA D4i, ENEC   |
| Reference standards          | EN60598-1. With degree of protection according to EN60529. Registered Design DM/100271.  |
| Laboratory Tests             | compliant with third-party certified vibration tests pursuant to ANSI C136.31: Street Lighting - Luminaire Vibration. Test level: 3.0G Level 2 for bridge/overpass applications. |
| Energy Label                 | C  |

### GEAR

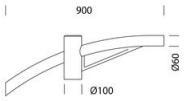
|              |   |
|--------------|---|
| Upon request | <ul style="list-style-type: none"> <li>- virtual midnight device, subcode -30</li> <li>- Nema Socket, subcode -40 (cap to be ordered separately)</li> <li>- Zhaga Socket, subcode -0054 (cap included)</li> </ul> |
|--------------|---|

### WARRANTY

|                      |      |
|----------------------|------|
| After sales warranty | 5 yr |
|----------------------|------|

## 3487 - Mini Giovi right (RH) - pedestrian crossings

Code: 331090-00



**504 Single arm**



**508 Double arm**



**1491 Pole to be buried**



**1493 Pole with base**



**1477 Urban Pole - with base**



**1478 Urban Pole to be buried**



**1508 Fluted pole Ø 120 with base**



**1509 Fluted pole Ø 120**