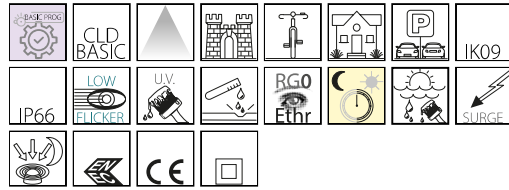


## 3385 - Como 3 - cycle lane

Code: 340570-00



High energy efficiency and excellent light quality are the fundamental requirements for LED urban lighting that represents the true transition to an environmentally friendly technology capable of improving the quality of life in small and large cities.

In addition their unique design, these new versions revised their wattages to increase efficiency, and their optical system was designed to control potential glare due to the LED increasing light intensity.

The versions with 4000K or warmer 3000K light enable creating lighting projects with very good results in terms of investment, management costs and user satisfaction.

Available in several versions - rotosymmetrical, asymmetrical, cycle, bisymmetrical - to design the best light paths and make the streets safe and liveable for drivers, cyclists and pedestrians.

In addition to being energy-efficient, these luminaires are highly technological and can be perfectly integrated with remote management, communication and surveillance systems that make the public lighting network the main support of any modern smart city.



### GENERAL INFORMATION

Article	3385 - Como 3 - cycle lane
Code	340570-00

### DIMENSIONS AND WEIGHT

Height (mm)	620 mm
Diameter (Ø) (mm)	400 mm
Weight (Kg)	5.5 kg

### INSTALLATION

Diameter (Ø) of pole connector (mm)	60-76 mm
Surface exposed to wind (mm)	L 76900 mm <sup>2</sup> , F 125600 mm <sup>2</sup>

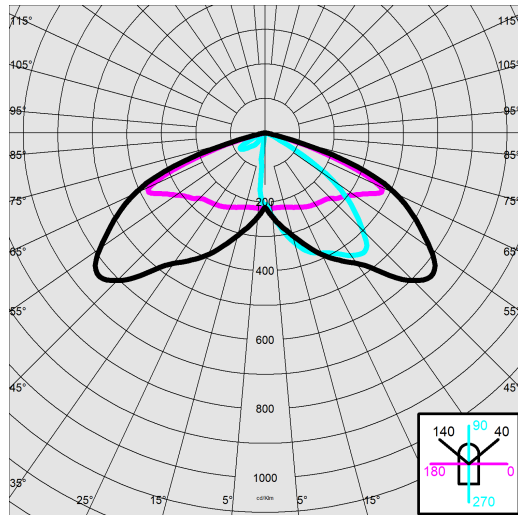
### ELECTRICAL CHARACTERISTICS AND CONTROLS

Voltage type	AC
Min Voltage (V)	220 V
Max Voltage (V)	240 V
Min Frequency (Hz)	50 Hz
Max Frequency (Hz)	60 Hz
Frequency (Hz)	50 Hz
Wiring name	CLD
Power factor	≥0.9
Surge protector (common) (EN 61547)	6 kV, 10 kV
Insulation class	Class II
Controllability	None

## 3385 - Como 3 - cycle lane

Code: 340570-00

### PHOTOMETRIC DATA



Distribution type	Narrow / High centre distance
Lighting source	LED
CRI	70
Luminous flux (output) (lm)	1440 lm
Power absorption (total) (W)	9 W
CCT	4000 K
Luminous efficacy (lm/W)	160 lm/W
Low Flicker	luminaire with very low flicker: evenly distributed light for greater visual safety.
Colour consistency	SDCM4
LED flux maintenance	80000 hr, L 80, B 20

### MECHANICAL CHARACTERISTICS

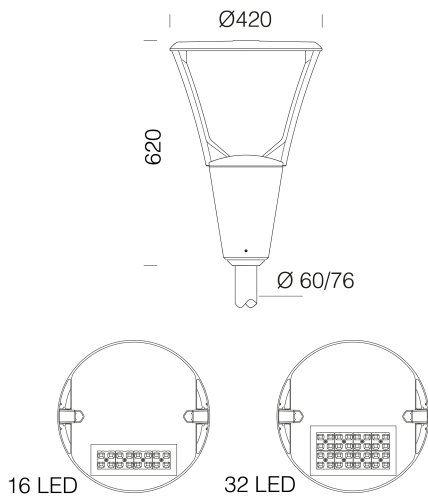
Impact resistance rating (IK)	IK09
IP	66
Ambient temperature - min	-30 °C
Ambient temperature - max	40 °C



## 3385 - Como 3 - cycle lane

Code: 340570-00

### MATERIALS AND COLOURS



### DOWNLOAD

#### MOUNTS

[AssemblyInstructions garda iseo como 12-23.pdf](#)

#### DESIGNS

[TechnicalDrawing 3385i.dxf](#)



Housing	die-cast aluminium, designed with a very small surface exposed to wind.
Optics	in high-performance PMMA resistant to high temperatures and UV rays.
Diffuser	tempered glass, 4 mm thick, resistant to thermal shock and impact (UNI EN 12150-1:2001).
Heat sink	the heat sink is designed and made to allow the LEDs to operate at temperatures capable of ensuring excellent performance/output and long service life.
Pole connection	suited for poles with a diameter between 60 and 76 mm.
Coating	pre-treatment of metal surface, polyester powder coating to ensure resistance to corrosion and salt spray fogs, UV stabilised.
Special coating (UPON REQUEST)	upon request: available with coating tested to withstand corrosion tests in aggressive artificial atmospheres (UNI EN ISO 9227) or marine environments (sea front).
Colour	Anthracite
Equipment	<ul style="list-style-type: none"> <li>- waterproof connector for quick installation with no need to open the fixture.</li> <li>- anti-condensation valve.</li> <li>- temperature controller with auto-reset.</li> <li>- EN 61547 compliant surge protection.</li> <li>- BASIC PROG built-in functions.</li> </ul>

### STANDARDS AND COMPLIANCE

Photobiological safety class	RG0 Ethr
Markings and tests	CE, ENEC
Reference standards	EN60598-1. With degree of protection according to EN60529.
Energy Label	C

### WARRANTY

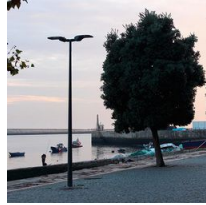
After sales warranty	5 yr
----------------------	------

## 3385 - Como 3 - cycle lane

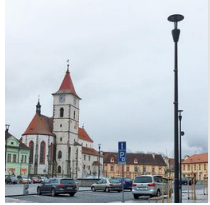
Code: 340570-00



1278 Conical



1481 steel conical pole to be buried



1480 steel conical pole with base



1478 Urban Pole to be buried



1477 Urban Pole - with base



1408 Fluted pole  $\varnothing$  100 with base



1409 Fluted pole  $\varnothing$  100



1508 Fluted pole  $\varnothing$  120 with base



1509 Fluted pole  $\varnothing$  120