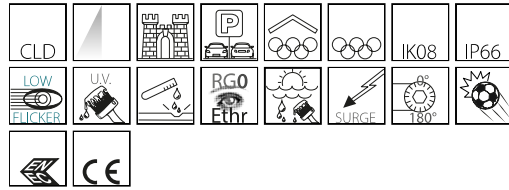


2185 - Forum WITH GLASS - 1 MODULE - asymmetric

Code: 412650-00

GENERAL INFORMATION



Article	2185 - Forum WITH GLASS - 1 MODULE - asymmetric
Code	412650-00

DIMENSIONS AND WEIGHT

Length (mm)	286 mm
Width (mm)	610 mm
Height (mm)	208 mm
Weight (Kg)	13.2 kg

INSTALLATION

Surface exposed to wind (mm)	L 28000 mm ² , F 133000 mm ²
------------------------------	--

ELECTRICAL CHARACTERISTICS AND CONTROLS

Voltage type	AC
Min Voltage (V)	220 V
Max Voltage (V)	240 V
Min Frequency (Hz)	50 Hz
Max Frequency (Hz)	60 Hz
Frequency (Hz)	50 Hz
Wiring name	CLD
Wiring	Wiring for 1 module: 220–240V 50/60Hz power supply with external IP66 driver mounted on the fixture.
Power factor	≥0.92
Rated Current	600 mA
Surge protector (common) (EN 61547)	4 kV, 6 kV
Insulation class	Class I
Controllability	None



Forum by Disano is the modular LED floodlight Made in Italy that redefines lighting standards for sports facilities, infrastructures, and large areas. A premium solution that combines maximum design flexibility with top-level performance, quickly becoming a benchmark in the industry.

Its success stems from outstanding configurational flexibility and advanced technological content. Modern, robust, and highly efficient, Forum integrates innovative solutions that ensure high luminous efficiency, precise light control, and ease of installation, while also guaranteeing exceptional durability.

Thanks to a wide range of advanced optics, Forum perfectly adapts to any design requirement, offering significantly superior performance compared to traditional floodlights using conventional technology. Every detail is designed to deliver maximum reliability, precision, and consistently flawless results.

Designed to facilitate the work of installers and designers, the system features dedicated devices for accurate aiming and long-lasting stability. The quality of materials and electronic components ensures resistance to the most demanding conditions: impacts, vibrations, thermal shocks, and weather agents.

The version with tempered glass is ideal for installation in environments with continuous presence of dust and particles, while also ensuring impact resistance and long-lasting durability under heavy-duty conditions.

The modular design allows a wide variety of combinations in terms of power, luminous flux, and light distribution, with asymmetric, narrow, or symmetrical beam versions. Total design freedom to enhance any space with maximum effectiveness.

Forum light stands out for its quality and uniformity, making it ideal also for high-visibility applications such as HD television broadcasting.

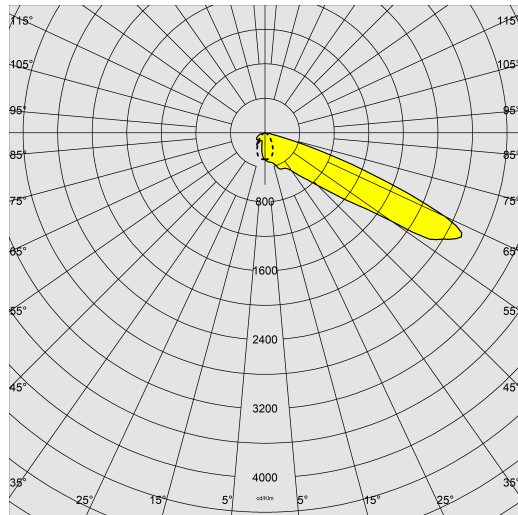
Forum is not just a floodlight: it is a complete solution designed to illuminate every project with excellence.



2185 - Forum WITH GLASS - 1 MODULE - asymmetric

Code: 412650-00

PHOTOMETRIC DATA



Distribution type	Asymmetric
Lighting source	LED
CRI	70
Luminous flux (output) (lm)	33147 lm
Power absorption (total) (W)	256 W
CCT	4000 K
Luminous efficacy (lm/W)	129 lm/W
Low Flicker	luminaire with very low flicker: evenly distributed light for greater visual safety.
Colour consistency	SDCM4
LED flux maintenance	190000 hr, L 70, B 20

MECHANICAL CHARACTERISTICS

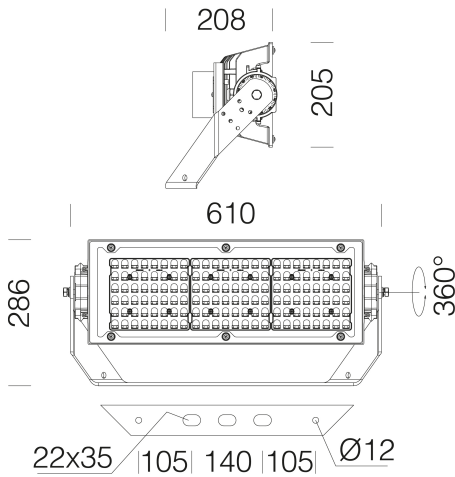
Impact resistance rating (IK)	IK08
IP	66
Ambient temperature - min	-40 °C
Ambient temperature - max	45 °C



2185 - Forum WITH GLASS - 1 MODULE - asymmetric

Code: 412650-00

MATERIALS AND COLOURS



DOWNLOAD

MOUNTS

[AssemblyInstructions forum 1mod 10-25.pdf](#)

DESIGNS

[TechnicalDrawing 2185-24.dxf](#)



Housing	in die-cast aluminium, with cooling fins.
Optics	in high-performance metallised polycarbonate.
Diffuser	extra-clear, tempered glass, 4 mm thick, resistant to thermal shock and impact (UNI-EN 12150-1:2001).
Heat sink	the heat sink is designed and made to allow the LEDs to operate at temperatures capable of ensuring excellent performance/output and long service life.
Coating	the fully automated powder-coating cycle involves a polyester-based, salt-spray corrosion-resistant and UV-stabilised paint., Anthracite = RAL 7021
Special coating (UPON REQUEST)	Upon request: protective coating recommended for marine environments within 5 km (3 miles) of the sea.
Colour	Anthracite
Equipment	<ul style="list-style-type: none"> - with galvanised and painted bracket. - waterproof connector for quick installation with no need to open the fixture. - temperature controller with auto-reset - EN 61547 compliant surge protection. - anti-condensation valve. - goniometric scale.

STANDARDS AND COMPLIANCE

Photobiological safety class	RG0 Ethr
Markings and tests	CE, ENEC
Reference standards	EN60598-1. They have a degree of protection according to the EN60529 standard.
Laboratory Tests	certified ball impact resistant in accordance with DIN 18032-3:2018.
Energy Label	C

GEAR

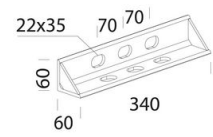
Sensors	
Upon request	<ul style="list-style-type: none"> - adjustment with DIMM 1-10V (20 to 100%) or DALI driver - power line carrier remote control - wireless control system

WARRANTY

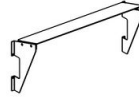
After sales warranty	5 yr
----------------------	------

2185 - Forum WITH GLASS - 1 MODULE - asymmetric

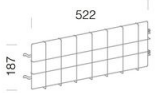
Code: 412650-00



345 Wall bracket



482 Anti-glare shutter 1 Mod.



25 gabbia di protezione