

2184 - Forum WITH GLASS - 1 MODULE - asymmetric 60°

Code: 412654-00

GENERAL INFORMATION



The Forum floodlight is the ideal solution for lighting projects requiring high efficiency, precise light control, easy installation, and long-lasting performance. In its new version with protective glass, it is perfectly suited for installation in dusty environments. Thanks to its versatile optics, Forum adapts effortlessly to diverse application requirements, delivering superior performance compared to traditional floodlights. Its success lies not only in the wide range of available solutions and exceptional technical features but also in the careful selection of materials and electronic components, which ensure maximum operational safety and total resistance to accidental impacts, thermal shocks, and exposure to the elements. To further enhance safety, Forum floodlights incorporate advanced technical features such as an automatic temperature controller and a surge protector to prevent overvoltage damage. Available with one, two, or three LED modules, this floodlight offers a variety of optics to meet the stringent lighting needs of indoor and outdoor arenas of all sizes and specifications. Lastly, the innovative LED technology that characterises Forum is increasingly used for illuminating stadiums, infrastructure, and large areas, because it ensures not only significant energy savings but also stunning scenic effects (DMX) and high-quality lighting that enhances safety and visual comfort.



Article	2184 - Forum WITH GLASS - 1 MODULE - asymmetric 60°
Code	412654-00

DIMENSIONS AND WEIGHT

Length (mm)	640 mm
Width (mm)	214 mm
Height (mm)	281 mm
Weight (Kg)	13.2 kg

INSTALLATION

Surface exposed to wind (mm)	L 28000 mm ² , F 133000 mm ²
------------------------------	--

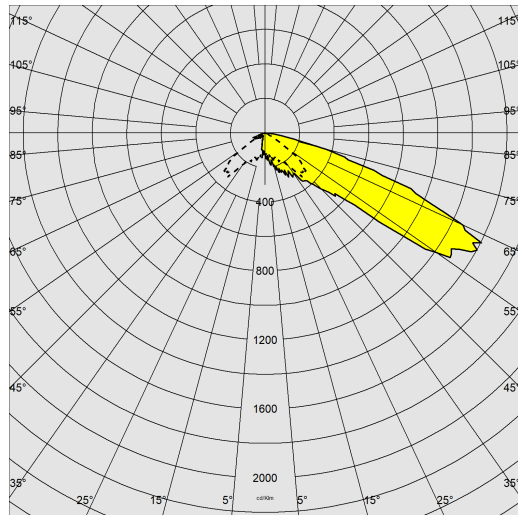
ELECTRICAL CHARACTERISTICS AND CONTROLS

Voltage type	AC
Min Voltage (V)	220 V
Max Voltage (V)	240 V
Min Frequency (Hz)	50 Hz
Max Frequency (Hz)	60 Hz
Frequency (Hz)	50 Hz
Wiring name	CLD
Wiring	power supply 220-240V 50/60Hz; with external IP66 driver on 1-2 LED module versions.
Power factor	≥0.92
Rated Current	900 mA
Surge protector (common) (EN 61547)	10 kV, 10 kV
Insulation class	Class I
Controllability	None

2184 - Forum WITH GLASS - 1 MODULE - asymmetric 60°

Code: 412654-00

PHOTOMETRIC DATA



Distribution type	Asymmetric
Lighting source	LED
CRI	70
Luminous flux (output) (lm)	45500 lm
Power absorption (total) (W)	397 W
CCT	4000 K
Luminous efficacy (lm/W)	115 lm/W
Low Flicker	luminaire with very low flicker: evenly distributed light for greater visual safety.
LED flux maintenance	160000 hr, L 70, B 20

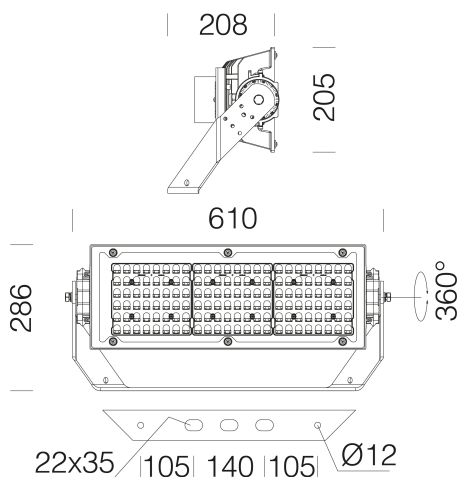
MECHANICAL CHARACTERISTICS

Impact resistance rating (IK)	IK08
IP	66
Ambient temperature - min	-40 °C
Ambient temperature - max	45 °C

2184 - Forum WITH GLASS - 1 MODULE - asymmetric 60°

Code: 412654-00

MATERIALS AND COLOURS



[DOWNLOAD](#)

DESIGNS

[TechnicalDrawing 2184-24.dxf](#)



Housing	in die-cast aluminium, with cooling fins.
Optics	in high-performance metallised polycarbonate.
Diffuser	extra-clear, tempered glass, 4 mm thick, resistant to thermal shock and impact (UNI-EN 12150-1:2001).
Heat sink	the heat sink is designed and made to allow the LEDs to operate at temperatures capable of ensuring excellent performance/output and long service life.
Coating	the fully automated powder-coating cycle involves a polyester-based, salt-spray corrosion-resistant and UV-stabilised paint., Anthracite = RAL 7021
Special coating (UPON REQUEST)	Upon request: protective coating recommended for marine environments within 5 km (3 miles) of the sea.
Colour	Anthracite
Equipment	<ul style="list-style-type: none"> - with galvanised and painted bracket. - waterproof connector for quick installation with no need to open the fixture. - temperature controller with auto-reset - EN 61547 compliant surge protection. - anti-condensation valve. - goniometric scale.

STANDARDS AND COMPLIANCE

Photobiological safety class	RG0 Ethr
Markings and tests	CE, ENEC
Reference standards	EN60598-1. They have a degree of protection according to the EN60529 standard.
Laboratory Tests	certified ball impact resistant in accordance with DIN 18032-3:2018.
Energy Label	C

GEAR

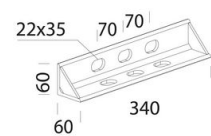
Upon request	<ul style="list-style-type: none"> - adjustment with DIMM 1-10V (20 to 100%) or DALI driver - power line carrier remote control - wireless control system
--------------	--

WARRANTY

After sales warranty	5 yr
----------------------	------

2184 - Forum WITH GLASS - 1 MODULE - asymmetric 60°

Code: 412654-00



345 Wall bracket