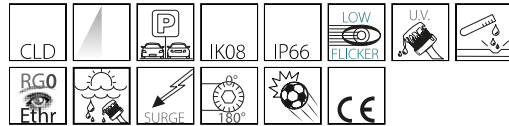


2189 - Forum HE WITH GLASS - 1 MODULE - asymmetric

Code: 412695-00

GENERAL INFORMATION



| | |
|---------|--|
| Article | 2189 - Forum HE WITH GLASS - 1 MODULE - asymmetric |
| Code | 412695-00 |

DIMENSIONS AND WEIGHT

| | |
|-------------|---------|
| Length (mm) | 286 mm |
| Width (mm) | 610 mm |
| Height (mm) | 208 mm |
| Weight (Kg) | 13.2 kg |

INSTALLATION

| | |
|------------------------------|--|
| Surface exposed to wind (mm) | L 28000 mm ² , F 133000 mm ² |
|------------------------------|--|

ELECTRICAL CHARACTERISTICS AND CONTROLS

| | |
|-------------------------------------|--|
| Voltage type | AC |
| Min Voltage (V) | 220 V |
| Max Voltage (V) | 240 V |
| Min Frequency (Hz) | 50 Hz |
| Max Frequency (Hz) | 60 Hz |
| Frequency (Hz) | 50 Hz |
| Wiring name | CLD |
| Wiring | Wiring for 1 module: 220–240V 50/60Hz power supply with external IP66 driver mounted on the fixture. |
| Power factor | ≥0.92 |
| Surge protector (common) (EN 61547) | 6 kV, 10 kV |
| Insulation class | Class I |
| Controllability | None |



Forum by Disano is the modular LED floodlight Made in Italy that redefines lighting standards for sports facilities, infrastructures, and large areas. A premium solution that combines maximum design flexibility with top-level performance, quickly becoming a benchmark in the industry.

Its success stems from outstanding configurational flexibility and advanced technological content. Modern, robust, and highly efficient, Forum integrates innovative solutions that ensure high luminous efficiency, precise light control, and ease of installation, while also guaranteeing exceptional durability.

Thanks to a wide range of advanced optics, Forum perfectly adapts to any design requirement, offering significantly superior performance compared to traditional floodlights using conventional technology. Every detail is designed to deliver maximum reliability, precision, and consistently flawless results. Designed to facilitate the work of installers and designers, the system features dedicated devices for accurate aiming and long-lasting stability. The quality of materials and electronic components ensures resistance to the most demanding conditions: impacts, vibrations, thermal shocks, and weather agents.

The version with tempered glass is ideal for installation in environments with continuous presence of dust and particles, while also ensuring impact resistance and long-lasting durability under heavy-duty conditions.

The modular design allows a wide variety of combinations in terms of power, luminous flux, and light distribution, with asymmetric, narrow, or symmetrical beam versions. Total design freedom to enhance any space with maximum effectiveness.

Forum light stands out for its quality and uniformity, making it ideal also for high-visibility applications such as HD television broadcasting.

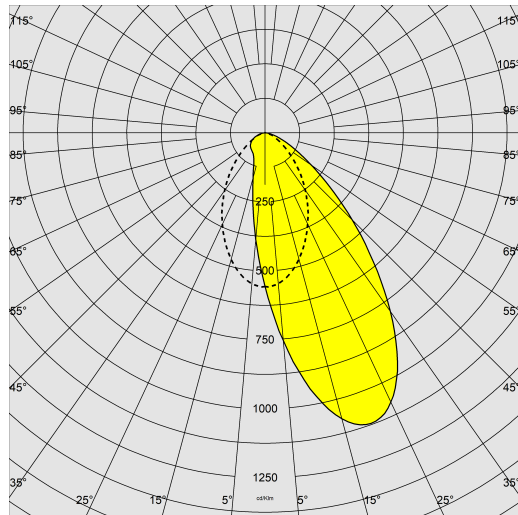
Forum is not just a floodlight: it is a complete solution designed to illuminate every project with excellence.



2189 - Forum HE WITH GLASS - 1 MODULE - asymmetric

Code: 412695-00

PHOTOMETRIC DATA



| | |
|------------------------------|--|
| Distribution type | Asymmetric |
| Lighting source | LED |
| CRI | 70 |
| Luminous flux (output) (lm) | 59128 lm |
| Power absorption (total) (W) | 370 W |
| CCT | 4000 K |
| Luminous efficacy (lm/W) | 160 lm/W |
| Low Flicker | luminaire with very low flicker: evenly distributed light for greater visual safety. |
| Colour consistency | SDCM4 |
| LED flux maintenance | 100000 hr, L 90, B 10 |

MECHANICAL CHARACTERISTICS

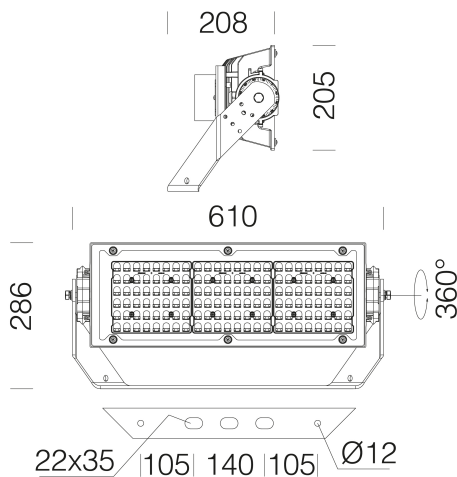
| | |
|-------------------------------|--------|
| Impact resistance rating (IK) | IK08 |
| IP | 66 |
| Ambient temperature - min | -30 °C |
| Ambient temperature - max | 40 °C |



2189 - Forum HE WITH GLASS - 1 MODULE - asymmetric

Code: 412695-00

MATERIALS AND COLOURS



DOWNLOAD

MOUNTS

[AssemblyInstructions forum 1mod 10-25.pdf](#)

DESIGNS

[TechnicalDrawing 2189-24.dxf](#)



| | |
|--------------------------------|---|
| Housing | in die-cast aluminium, with cooling fins. |
| Optics | aluminium coated with very high purity (99.99%) silver using physical vapour deposition (PVD). |
| Diffuser | extra-clear, tempered glass, 4 mm thick, resistant to thermal shock and impact (UNI-EN 12150-1:2001). |
| Heat sink | the heat sink is designed and made to allow the LEDs to operate at temperatures capable of ensuring excellent performance/output and long service life. |
| Coating | the fully automated powder-coating cycle involves a polyester-based, salt-spray corrosion-resistant and UV-stabilised paint., Anthracite = RAL 7021 |
| Special coating (UPON REQUEST) | Upon request: protective coating recommended for marine environments within 5 km (3 miles) of the sea. |
| Colour | Anthracite |
| Equipment | <ul style="list-style-type: none"> - with galvanised and painted bracket. - waterproof connector for quick installation with no need to open the fixture. - temperature controller with auto-reset - EN 61547 compliant surge protection. - anti-condensation valve. - goniometric scale. |

STANDARDS AND COMPLIANCE

| | |
|------------------------------|--|
| Photobiological safety class | RG0 Ethr |
| Markings and tests | CE |
| Reference standards | EN60598-1. They have a degree of protection according to the EN60529 standard. |
| Laboratory Tests | certified ball impact resistant in accordance with DIN 18032-3:2018. |
| Energy Label | C |

GEAR

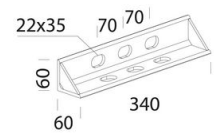
| | |
|--------------|--|
| Sensors | |
| Upon request | <ul style="list-style-type: none"> - adjustment with DIMM 1-10V (20 to 100%) or DALI driver - power line carrier remote control - wireless control system |

WARRANTY

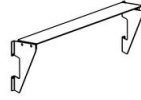
| | |
|----------------------|------|
| After sales warranty | 5 yr |
|----------------------|------|

2189 - Forum HE WITH GLASS - 1 MODULE - asymmetric

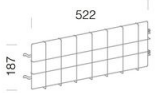
Code: 412695-00



345 Wall bracket



482 Anti-glare shutter 1 Mod.



25 gabbia di protezione