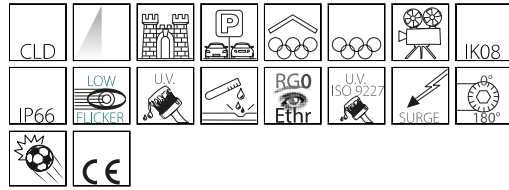


2194 - Forum LED - 2 MODULES - asymmetric 60°

Code: 412766-00

GENERAL INFORMATION



Article	2194 - Forum LED - 2 MODULES - asymmetric 60°
Code	412766-00

DIMENSIONS AND WEIGHT

Length (mm)	759 mm
Width (mm)	520 mm
Height (mm)	382 mm
Weight (Kg)	26.9 kg

INSTALLATION

Surface exposed to wind (mm)	L 99000 mm ² , F 315000 mm ²
------------------------------	--

ELECTRICAL CHARACTERISTICS AND CONTROLS

Voltage type	AC
Min Voltage (V)	220 V
Max Voltage (V)	240 V
Min Frequency (Hz)	50 Hz
Max Frequency (Hz)	60 Hz
Frequency (Hz)	50 Hz
Wiring name	CLD
Wiring	power supply 220-240V 50/60Hz; with external IP66 driver on 1-2 LED module versions.
Power factor	≥0.92
Rated Current	700 mA
Surge protector (common) (EN 61547)	6 kV, 6 kV
Insulation class	Class I
Controllability	None



The range of Forum, Disano's top seller in the lighting of large areas and sport facilities worldwide, introduces the new Forum LED to its family.

Drawing from its proven experience in the field of discharge lamps, Forum LED stands out thanks to the most reliable and sophisticated technologies and the use of the latest generation of LED sources.

The design of the fixture's body makes it possible to obtain various combinations of power, lumen and light beams, offering floodlights with one, two or three LED modules, and distributions with 8° or 17° asymmetric, narrow beam and 30° to 120° symmetric beam.

The remarkable output of these floodlights make them ideal for use in large surfaces as well as in indoor and outdoor sports facilities and arenas, providing unparalleled performance in every settings.

Simple and safe to install, Forum is equipped with special devices for perfect aiming and positioning.

The in-depth study of the optical unit and the incorporation of the LEDs inside the floodlight guarantee precision and high efficiency, minimising intrusive and glaring light in the surrounding areas, to the benefit of the visual wellbeing for players and spectators.

The state-of-the-art LED sources, also in the 5700K and CRI90 colour, are ideal for the broadcasting of sports events, even in HD TV.



2194 - Forum LED - 2 MODULES - asymmetric 60°

Code: 412766-00

PHOTOMETRIC DATA



Distribution type	Asymmetric
Lighting source	LED
CRI	70
Power absorption (total) (W)	519 W
CCT	4000 K
Low Flicker	luminaire with very low flicker: evenly distributed light for greater visual safety.
Asymmetry degrees	60 °
LED flux maintenance	190000 hr, L 70, B 20

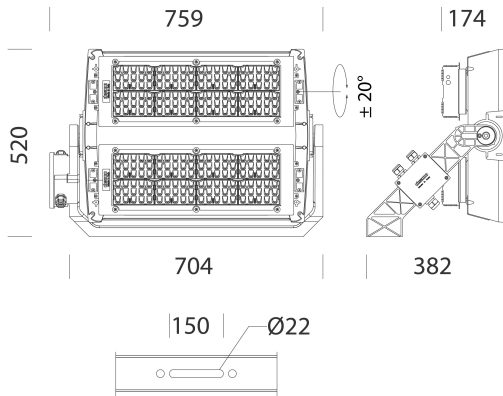
MECHANICAL CHARACTERISTICS

Impact resistance rating (IK)	IK08
IP	66
Ambient temperature - min	-30 °C
Ambient temperature - max	40 °C

2194 - Forum LED - 2 MODULES - asymmetric 60°

Code: 412766-00

MATERIALS AND COLOURS



DOWNLOAD

MOUNTS

[AssemblyInstructions forumLED2mod 06-24.pdf](#)

DESIGNS

[TechnicalDrawing 2194-95.dxf](#)



Housing	in die-cast aluminium, with cooling fins. Frame structure in die-cast aluminium with housing for fixing the support bracket.
Optics	in high-performance metallised polycarbonate.
Diffuser	extra-clear, tempered glass, 4 mm thick, resistant to thermal shock and impact (UNI-EN 12150-1:2001).
Heat sink	the heat sink is designed and made to allow the LEDs to operate at temperatures capable of ensuring excellent performance/output and long service life.
Coating	pre-treatment of metal surface, polyester powder coating to ensure resistance to corrosion and salt spray fogs, UV stabilised.
Special coating (UPON REQUEST)	upon request: available with coating tested to withstand corrosion tests in aggressive artificial atmospheres (UNI EN ISO 9227) or marine environments (sea front).
Colour	Graphite
Equipment	<ul style="list-style-type: none"> - with bracket. - temperature controller with auto-reset. - EN 61547 compliant surge protection. - anti-condensation valve. - goniometric scale.

STANDARDS AND COMPLIANCE

Photobiological safety class	RG0 Ethr
Markings and tests	CE
Reference standards	EN60598-1. With degree of protection according to EN60529.
Laboratory Tests	certified ball impact resistant in accordance with DIN 18032-3:2018.
Energy Label	C

GEAR

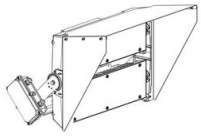
Upon request	<ul style="list-style-type: none"> - adjustment with DIMM 1-10V (20 to 100%) or DALI driver - power line carrier remote control - wireless control system
--------------	--

WARRANTY

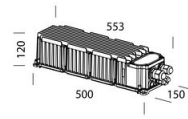
After sales warranty	5 yr
----------------------	------

2194 - Forum LED - 2 MODULES - asymmetric 60°

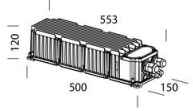
Code: 412766-00



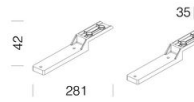
482 Anti-glare shutter 2 Mod.



Type 2 Driver IP66 - DALI



Type 3 Driver IP66 DMX/RDM



198 Forum driver support brackets