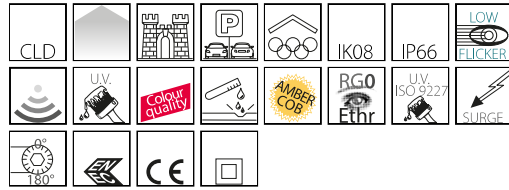


# 1715 - Cripto COB medium - wide beam

Code: 413062-00

## GENERAL INFORMATION



|         |                                      |
|---------|--------------------------------------|
| Article | 1715 - Cripto COB medium - wide beam |
| Code    | 413062-00                            |

## DIMENSIONS AND WEIGHT

|             |         |
|-------------|---------|
| Length (mm) | 428 mm  |
| Width (mm)  | 294 mm  |
| Height (mm) | 65 mm   |
| Weight (Kg) | 4.04 kg |

## INSTALLATION

|                              |                                                   |
|------------------------------|---------------------------------------------------|
| Surface exposed to wind (mm) | L 20500 mm <sup>2</sup> , F 85500 mm <sup>2</sup> |
|------------------------------|---------------------------------------------------|

## ELECTRICAL CHARACTERISTICS AND CONTROLS

|                                     |            |
|-------------------------------------|------------|
| Voltage type                        | AC         |
| Min Voltage (V)                     | 220 V      |
| Max Voltage (V)                     | 240 V      |
| Min Frequency (Hz)                  | 50 Hz      |
| Max Frequency (Hz)                  | 60 Hz      |
| Frequency (Hz)                      | 50 Hz      |
| Wiring name                         | CLD        |
| Power factor                        | ≥0.9       |
| Surge protector (common) (EN 61547) | 1 kV, 2 kV |
| Insulation class                    | Class II   |
| Controllability                     | None       |



Disano presents a lighting fixture, designed as a possible retrofit for more classic models.

The excellent performance of this luminaire in terms of energy saving and luminous efficiency is accompanied by a long lifespan, with IP66-rated materials for outdoor installations.

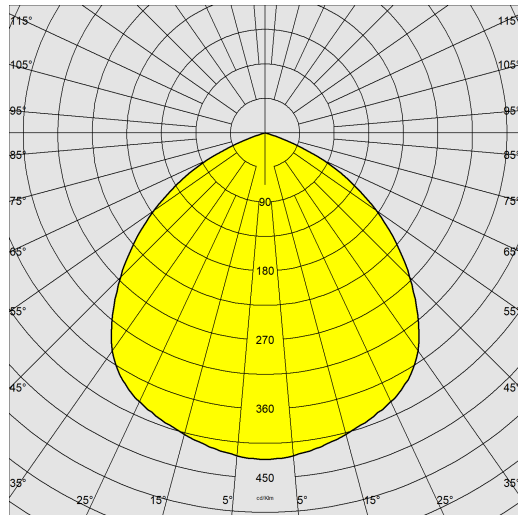
The most advanced technology and design are used to reduce consumption and address the increasing need to replace obsolete equipment and save energy.



## 1715 - Cripto COB medium - wide beam

Code: 413062-00

### PHOTOMETRIC DATA



|                              |                                                                                      |
|------------------------------|--------------------------------------------------------------------------------------|
| Lighting source              | LED COB                                                                              |
| CRI                          | 80                                                                                   |
| Luminous flux (output) (lm)  | 8134 lm                                                                              |
| Power absorption (total) (W) | 55 W                                                                                 |
| CCT                          | 4000 K                                                                               |
| Luminous efficacy (lm/W)     | 148 lm/W                                                                             |
| Low Flicker                  | luminaire with very low flicker: evenly distributed light for greater visual safety. |
| LED flux maintenance         | 50000 hr, L 80, B 20                                                                 |

### MECHANICAL CHARACTERISTICS

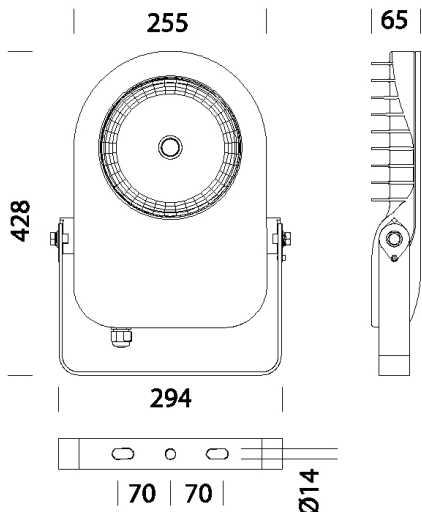
|                               |        |
|-------------------------------|--------|
| Impact resistance rating (IK) | IK08   |
| IP                            | 66     |
| Ambient temperature - min     | -20 °C |
| Ambient temperature - max     | 40 °C  |



# 1715 - Cripto COB medium - wide beam

Code: 413062-00

## MATERIALS AND COLOURS



### DOWNLOAD

#### MOUNTS

[AssemblyInstructions cripto 12-23.pdf](#)

#### DESIGNS

[BIM 1715 Cripto COB medium - Wide beam - 20200519.zip](#)

[TechnicalDrawing 1715.dxf](#)

[TechnicalDrawing3D disano 1715 cripto medium.3ds](#)



|                                |                                                                                                                                                                                                                                                                              |
|--------------------------------|------------------------------------------------------------------------------------------------------------------------------------------------------------------------------------------------------------------------------------------------------------------------------|
| Housing                        | in die-cast aluminium, with cooling fins.                                                                                                                                                                                                                                    |
| Optics                         | in high-performance prismatic and polished aluminium.                                                                                                                                                                                                                        |
| Diffuser                       | tempered glass, 4 mm thick, resistant to thermal shock and impact (UNI EN 12150-1:2001).                                                                                                                                                                                     |
| Heat sink                      | the heat sink is designed and made to allow the LEDs to operate at temperatures capable of ensuring excellent performance/output and long service life.                                                                                                                      |
| Coating                        | pre-treatment of metal surface, polyester powder coating to ensure resistance to corrosion and salt spray fogs, UV stabilised.                                                                                                                                               |
| Special coating (UPON REQUEST) | upon request: available with coating tested to withstand corrosion tests in aggressive artificial atmospheres (UNI EN ISO 9227) or marine environments (sea front).                                                                                                          |
| Colour                         | Graphite                                                                                                                                                                                                                                                                     |
| Equipment                      | <ul style="list-style-type: none"> <li>- with galvanised and painted bracket</li> <li>- cable for electrical connection</li> <li>- EN 61547 compliant surge protection</li> <li>- silicone rubber gasket</li> <li>- external screws and bolts in stainless steel.</li> </ul> |

## STANDARDS AND COMPLIANCE

|                              |                                                            |
|------------------------------|------------------------------------------------------------|
| Photobiological safety class | RG0 Ethr                                                   |
| Markings and tests           | CE, ENEC                                                   |
| Reference standards          | EN60598-1. With degree of protection according to EN60529. |
| Energy Label                 | D                                                          |

## GEAR

|              |                                                                                                                                                                                                                                                                                                              |
|--------------|--------------------------------------------------------------------------------------------------------------------------------------------------------------------------------------------------------------------------------------------------------------------------------------------------------------|
| Upon request | <ul style="list-style-type: none"> <li>- protection of up to 10kV</li> <li>- AMBER LED 2200K subcode -73</li> <li>- CLD-D (1-10V) wiring, subcode -12</li> <li>- CLD-D-D (DALI) wiring, subcode -0041</li> <li>- possibility of central light management or with external presence/light sensors.</li> </ul> |
|--------------|--------------------------------------------------------------------------------------------------------------------------------------------------------------------------------------------------------------------------------------------------------------------------------------------------------------|

## WARRANTY

|                      |      |
|----------------------|------|
| After sales warranty | 5 yr |
|----------------------|------|