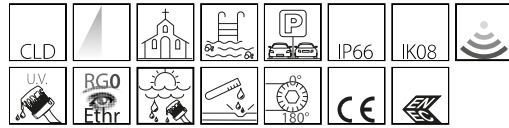


1998 - Mini Rodio - COB asymmetric

Code: 414851-39

GENERAL INFORMATION



| | |
|---------|------------------------------------|
| Article | 1998 - Mini Rodio - COB asymmetric |
| Code | 414851-39 |

DIMENSIONS AND WEIGHT

| | |
|-------------|--------|
| Length (mm) | 400 mm |
| Width (mm) | 273 mm |
| Height (mm) | 70 mm |
| Weight (Kg) | 3 kg |

INSTALLATION

| | |
|------------------------------|---|
| Surface exposed to wind (mm) | L 24200 mm ² , F 80700 mm ² |
|------------------------------|---|

ELECTRICAL CHARACTERISTICS AND CONTROLS

| | |
|--------------------|---------|
| Voltage type | AC |
| Min Voltage (V) | 220 V |
| Max Voltage (V) | 240 V |
| Min Frequency (Hz) | 50 Hz |
| Max Frequency (Hz) | 60 Hz |
| Frequency (Hz) | 50 Hz |
| Wiring name | CLD |
| Power factor | ≥0.9 |
| Insulation class | Class I |
| Controllability | None |



Within the range of floodlights, an excellent technological result has been achieved with the new Mini Rodio from the Rodio series. The small dimensions of this luminaire allow it to be inserted into any architecture or setting, for an aesthetic and high-tech lighting project. It is available in many versions with symmetric or asymmetric lenses, and also in a version with COB LEDs.

The excellent performance of this floodlight in terms of energy savings and luminous efficiency is accompanied by a long lifespan of 50/80,000 hours; furthermore, the use of materials with IP66 protection makes the Mini Rodio perfectly suitable for outdoor installations.

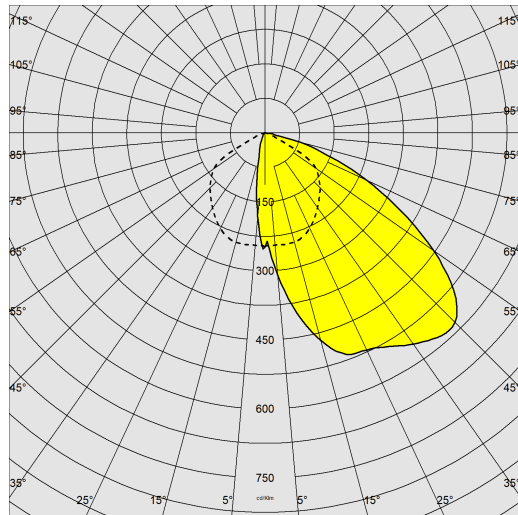
These spotlights are characterised by better light quality and a long lifespan, both guaranteed by the best possible materials and the most advanced LED sources.



1998 - Mini Rodio - COB asymmetric

Code: 414851-39

PHOTOMETRIC DATA



| | |
|------------------------------|--|
| Distribution type | Asymmetric |
| Lighting source | LED COB |
| CRI | 80 |
| Luminous flux (output) (lm) | 7222 lm |
| Power absorption (total) (W) | 54 W |
| CCT | 3000 K |
| Luminous efficacy (lm/W) | 134 lm/W |
| Low Flicker | luminaire with very low flicker: evenly distributed light for greater visual safety. |
| LED flux maintenance | 50000 hr, L 80, B 20 |

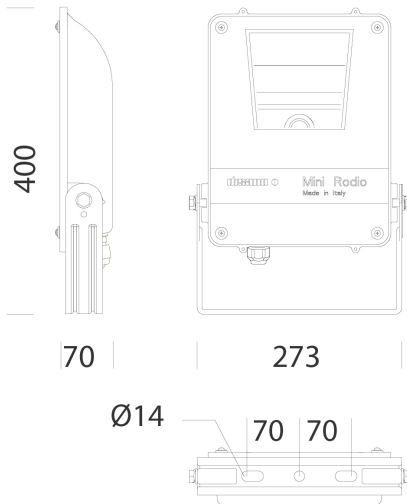
MECHANICAL CHARACTERISTICS

| | |
|-------------------------------|--------|
| Impact resistance rating (IK) | IK08 |
| IP | 66 |
| Ambient temperature - min | -20 °C |
| Ambient temperature - max | 40 °C |

1998 - Mini Rodio - COB asymmetric

Code: 414851-39

MATERIALS AND COLOURS



DOWNLOAD

MOUNTS

[AssemblyInstructions mini rodio 12-23.pdf](#)

DESIGNS

[TechnicalDrawing 1998w.dxf](#)

[TechnicalDrawing3D disano 1998 minirodio.3ds](#)



| | |
|--------------------------------|--|
| Housing | in die-cast aluminium with cooling fins integrated in the cover. |
| Optics | in 99.95 aluminium with PVD coating, satin finish. |
| Diffuser | tempered glass, 4 mm thick, resistant to thermal shock and impact (UNI EN 12150-1:2001). |
| Heat sink | the heat sink is designed and made to allow the LEDs to operate at temperatures capable of ensuring excellent performance/output and long service life. |
| Coating | pre-treatment of metal surface, polyester powder coating to ensure resistance to corrosion and salt spray fogs, UV stabilised. |
| Special coating (UPON REQUEST) | upon request: available with coating tested to withstand corrosion tests in aggressive artificial atmospheres (UNI EN ISO 9227) or marine environments (sea front). |
| Colour | Graphite |
| Equipment | <ul style="list-style-type: none"> - with galvanised and painted bracket - cable for electrical connection - EN 61547 compliant surge protection - silicone rubber gasket - external screws and bolts in stainless steel. |

STANDARDS AND COMPLIANCE

| | |
|------------------------------|--|
| Photobiological safety class | RG0 Ethr |
| Markings and tests | CE, ENEC |
| Reference standards | EN60598-1. With degree of protection according to EN60529. |
| Energy Label | D |

GEAR

| | |
|--------------|---|
| Upon request | <ul style="list-style-type: none"> - protection of up to 10kV. - amber LED (subcode -73 - 2200K) - CLD-D-D (DALI) wiring (subcode -0041) - possibility of central light management or with external presence/light sensors. |
|--------------|---|

WARRANTY

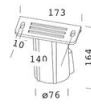
| | |
|----------------------|------|
| After sales warranty | 5 yr |
|----------------------|------|

1998 - Mini Rodio - COB asymmetric

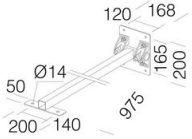
Code: 414851-39



333 Connection for diam. 60 pole



334 Connection for diam. 76 pole



42 Adjustable arm