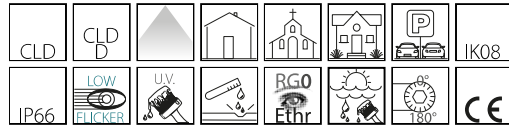


1984 - Micro Rodio - symmetric wide beam

Code: 414890-39

GENERAL INFORMATION



Article	1984 - Micro Rodio - symmetric wide beam
Code	414890-39

DIMENSIONS AND WEIGHT

Length (mm)	145 mm
Width (mm)	45 mm
Height (mm)	227 mm
Weight (Kg)	1.1 kg

INSTALLATION

Surface exposed to wind (mm)	L 8600 mm ² , F 27800 mm ²
------------------------------	--

ELECTRICAL CHARACTERISTICS AND CONTROLS

Voltage type	AC
Min Voltage (V)	220 V
Max Voltage (V)	240 V
Min Frequency (Hz)	50 Hz
Max Frequency (Hz)	60 Hz
Frequency (Hz)	50 Hz
Wiring name	CLD
Power factor	≥0.9
Surge protector (common) (EN 61547)	1 kV, 2 kV
Insulation class	Class I
Controllability	None



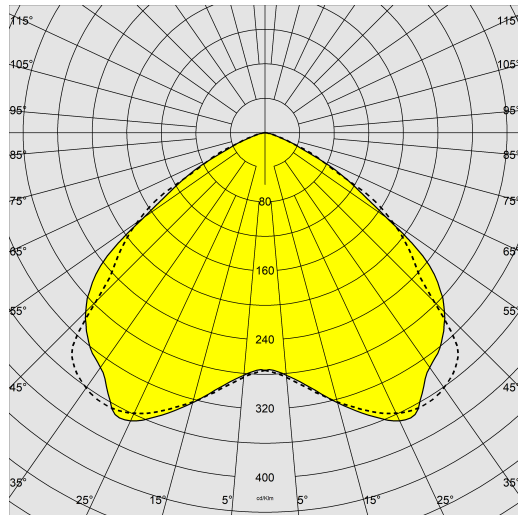
To meet the needs of those lighting projects where the size of the fixture makes the difference, Disano has created Micro Rodio, the floodlight that concentrates all the technology of the Rodio family into extremely compact dimensions. Also available with COB LED for a greater lighting quality, it stands out for a very long lamp life thanks to top quality materials and LED sources.



1984 - Micro Rodio - symmetric wide beam

Code: 414890-39

PHOTOMETRIC DATA



Lighting source	LED
CRI	80
Luminous flux (output) (lm)	2842 lm
Power absorption (total) (W)	28 W
CCT	3000 K
Luminous efficacy (lm/W)	102 lm/W
Low Flicker	luminaire with very low flicker: evenly distributed light for greater visual safety.
Colour consistency	SDCM4
LED flux maintenance	100000 hr, L 90, B 10

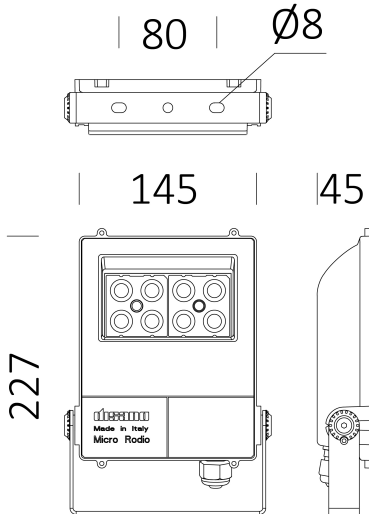
MECHANICAL CHARACTERISTICS

Impact resistance rating (IK)	IK08
IP	66
Ambient temperature - min	-20 °C
Ambient temperature - max	40 °C

1984 - Micro Rodio - symmetric wide beam

Code: 414890-39

MATERIALS AND COLOURS



DOWNLOAD

MOUNTS

[AssemblyInstructions microrodio 09-22.pdf](#)

DESIGNS

[BIM 1984 - 08-25.zip](#)

[TechnicalDrawing 1984.dxf](#)

[TechnicalDrawing3D disano 1984 microrodio.3ds](#)



Housing	in die-cast aluminium with cooling fins integrated in the cover.
Optics	in high-performance PMMA resistant to high temperatures and UV rays.
Diffuser	tempered glass, 4 mm thick, resistant to thermal shock and impact (UNI EN 12150-1:2001).
Heat sink	the heat sink is designed and made to allow the LEDs to operate at temperatures capable of ensuring excellent performance/output and long service life.
Coating	the fully automated powder-coating cycle involves a polyester-based, salt-spray corrosion-resistant and UV-stabilised paint., Anthracite = RAL 7021
Special coating (UPON REQUEST)	Upon request: protective coating recommended for marine environments within 5 km (3 miles) of the sea.
Colour	Graphite
Equipment	<ul style="list-style-type: none"> - with galvanised and painted bracket - cable for electrical connection - EN 61547 compliant surge protection - silicone rubber gasket - external screws and bolts in stainless steel.

STANDARDS AND COMPLIANCE

Photobiological safety class	RG0 Ethr
Markings and tests	CE
Reference standards	EN60598-1. They have a degree of protection according to the EN60529 standard.
Energy Label	C

GEAR

Sensors	
Upon request	<ul style="list-style-type: none"> - version with presence sensor (subcode -19) - double insulation (subcode -14) - CLD-D-D (DALI) wiring (subcode -0041)

WARRANTY

After sales warranty	5 yr
----------------------	------

1984 - Micro Rodio - symmetric wide beam

Code: 414890-39

