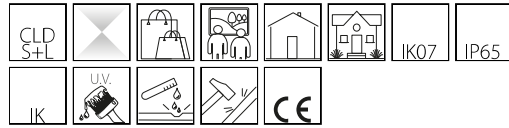


# 1547 - Clessidra 4 - direct or indirect light - LAMP E27

Code: 420562-00

## GENERAL INFORMATION



Article	1547 - Clessidra 4 - direct or indirect light - LAMP E27
Code	420562-00

## DIMENSIONS AND WEIGHT

Length (mm)	243 mm
Width (mm)	180 mm
Height (mm)	224 mm
Weight (Kg)	2.7 kg

## ELECTRICAL CHARACTERISTICS AND CONTROLS

Voltage type	AC
Min Voltage (V)	220 V
Max Voltage (V)	240 V
Frequency (Hz)	0 Hz
Wiring name	CLD-S+L
Power factor	≥0.9
Insulation class	Class I
Controllability	None



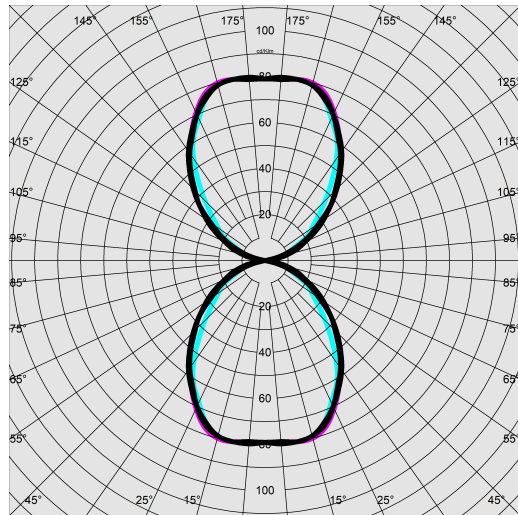
An outdoor wall sconce with an hourglass silhouette, characterised by high quality finishes and light output. This specially designed wall light uses direct/indirect LED technology for illuminating façades and walls. It can also be used indoors thanks to its excellent finishing appearance.



## 1547 - Clessidra 4 - direct or indirect light - LAMP E27

Code: 420562-00

### PHOTOMETRIC DATA



Lighting source	LED
CRI	80
Luminous flux (output) (lm)	1550 lm
Power absorption (total) (W)	16 W
CCT	2700 K
Luminous efficacy (lm/W)	97 lm/W
LED flux maintenance	15000 hr, L 70, B 50

### MECHANICAL CHARACTERISTICS

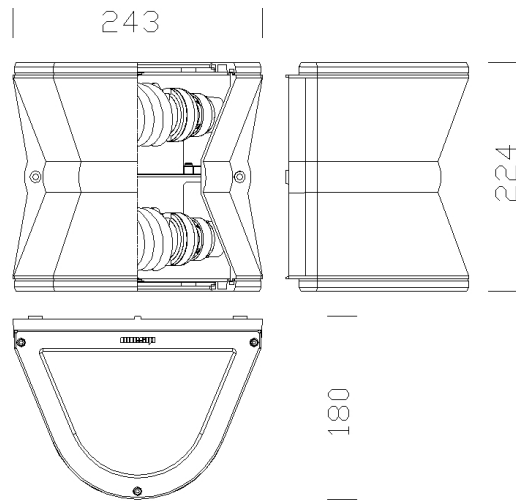
Impact resistance rating (IK)	IK07
IP	65



# 1547 - Clessidra 4 - direct or indirect light - LAMP E27

Code: 420562-00

## MATERIALS AND COLOURS



Housing	in die-cast aluminium.
Diffuser	tempered glass, resistant to thermal shock and impact (UNI EN 12150-1:2001).
Coating	the fully automated powder-coating cycle involves a polyester-based, salt-spray corrosion-resistant and UV-stabilised paint.
Colour	Graphite
Equipment	<ul style="list-style-type: none"> <li>- during installation the frame stays attached via a safety hinge mechanism that prevents it from dropping down accidentally.</li> <li>- with wall mounting plate.</li> <li>- gasket in eco-friendly material.</li> </ul>

## EMERGENCY LIGHTING

Emergency power supply type	Not present
-----------------------------	-------------

## STANDARDS AND COMPLIANCE

Photobiological safety class	RG0
Markings and tests	CE
Reference standards	EN60598-1. They have a degree of protection according to the EN60529 standard.

## WARRANTY

After sales warranty	3 yr
----------------------	------

## DOWNLOAD

### MOUNTS

[AssemblyInstructions clessidra 04-23.pdf](#)

### DESIGNS

[BIM 1547 Clessidra 4.zip](#)

[TechnicalDrawing 1547.dxf](#)

[TechnicalDrawing3D disano 1547 clessidra.3ds](#)

