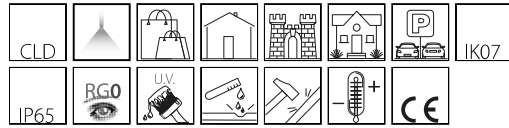


# 1554 - Clessidra 5 LED direct-indirect light

Code: 420588-00

## GENERAL INFORMATION



Article	1554 - Clessidra 5 LED direct-indirect light
Code	420588-00

## DIMENSIONS AND WEIGHT

Length (mm)	243 mm
Width (mm)	180 mm
Height (mm)	224 mm
Weight (Kg)	2.12 kg

## ELECTRICAL CHARACTERISTICS AND CONTROLS

Voltage type	AC
Min Voltage (V)	220 V
Max Voltage (V)	240 V
Min Frequency (Hz)	50 Hz
Max Frequency (Hz)	60 Hz
Frequency (Hz)	50 Hz
Wiring name	CLD
Power factor	≥0.9
Insulation class	Class I
Controllability	None



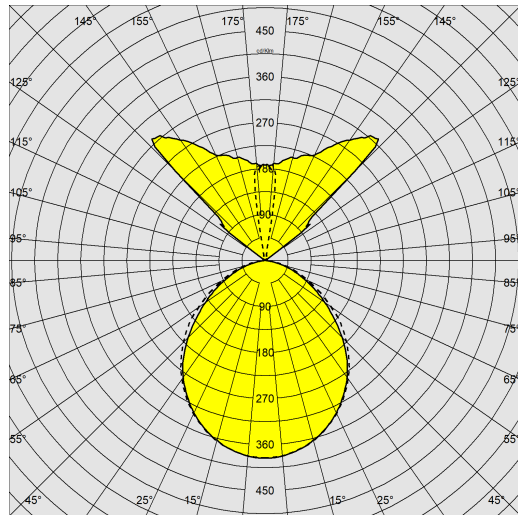
An outdoor wall sconce with an hourglass silhouette, characterised by high quality finishes and light output. This specially designed wall light uses direct/indirect LED technology for illuminating façades and walls. It can also be used indoors thanks to its excellent finishing appearance.



## 1554 - Clessidra 5 LED direct-indirect light

Code: 420588-00

### PHOTOMETRIC DATA



Lighting source	LED
CRI	80
Luminous flux (output) (lm)	562 lm
Power absorption (total) (W)	12 W
CCT	4000 K
Luminous efficacy (lm/W)	47 lm/W
LED flux maintenance	50000 hr, L 70, B 50

### MECHANICAL CHARACTERISTICS

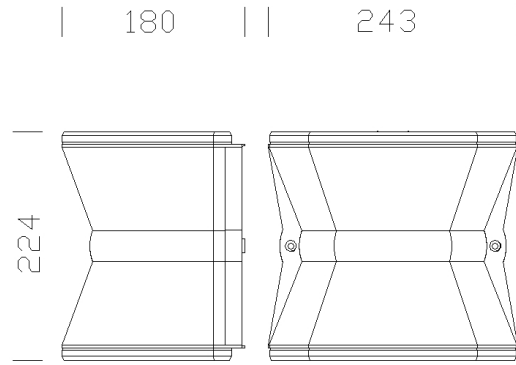
Impact resistance rating (IK)	IK07
IP	65



# 1554 - Clessidra 5 LED direct-indirect light

Code: 420588-00

## MATERIALS AND COLOURS



Housing	in die-cast aluminium.
Diffuser	tempered glass, resistant to thermal shock and impact (UNI EN 12150-1:2001).
Coating	pre-treatment of metal surface, epoxy-based cataphoresis treatment to ensure resistance to corrosion and salt spray fogs, a second final hand of liquid two-component acrylic coating, UV stabilised.
Colour	Grey
Equipment	<ul style="list-style-type: none"><li>- during installation the frame stays attached via a safety hinge mechanism that prevents it from dropping down accidentally.</li><li>- with wall mounting plate.</li><li>- gasket in eco-friendly material.</li></ul>

## STANDARDS AND COMPLIANCE

Photobiological safety class	RG0
Markings and tests	CE
Reference standards	EN60598-1. With degree of protection according to EN60529.
Energy Label	E

## DOWNLOAD

### MOUNTS

[AssemblyInstructions clessidra 04-23.pdf](#)

### DESIGNS

[BIM 1554 Clessidra 5 LED direct or indirect light - 20200611.zip](#)

[TechnicalDrawing 1550i.dxf](#)

[TechnicalDrawing3D disano 1554 clessidra.3ds](#)

## WARRANTY

After sales warranty	3 yr
----------------------	------

