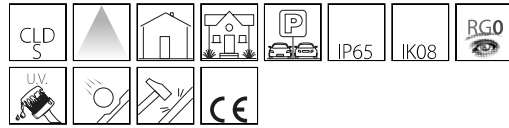


## 1280 - Garden

Code: 420846-00

### GENERAL INFORMATION



Article	1280 - Garden
Code	420846-00

### DIMENSIONS AND WEIGHT

Length (mm)	300 mm
Width (mm)	230 mm
Height (mm)	165 mm
Weight (Kg)	1.1 kg

### ELECTRICAL CHARACTERISTICS AND CONTROLS

Voltage type	AC
Min Voltage (V)	0 V
Max Voltage (V)	0 V
Frequency (Hz)	0 Hz
Wiring name	CLD-S
Power factor	≥0.9
Insulation class	Class I
Controllability	None



1280 Garden



## 1280 - Garden

Code: 420846-00

### PHOTOMETRIC DATA

Lighting source	LED
CCT	0 K
LED flux maintenance	0 hr, L 0, B 0

### MECHANICAL CHARACTERISTICS

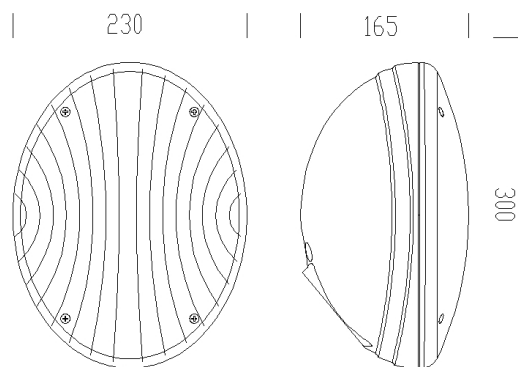
Impact resistance rating (IK)	IK08
IP	65



# 1280 - Garden

Code: 420846-00

## MATERIALS AND COLOURS



Housing	in fibreglass nylon, shatterproof, UV stabilised.
Optics	in high gloss faceted aluminium.
Diffuser	in anti-glare matt polycarbonate, shatterproof and V2 self-extinguishing, UV stabilised, anti-yellowing, externally smooth and dustproof.
Pole connection	возможность установки на опоре принадл. 452/453
Colour	Grey
Equipment	<ul style="list-style-type: none"> <li>- complete with fixing plate.</li> <li>- EPDM foam bowl gasket.</li> <li>- external screws in galvanised stainless steel with black OR.</li> </ul>

## STANDARDS AND COMPLIANCE

Photobiological safety class	RG0
Markings and tests	CE
Reference standards	EN60598-1. They have a degree of protection according to the EN60529 standard.

## DOWNLOAD

### MOUNTS

[AssemblyInstructions garden 04-21.pdf](#)

### DESIGNS

[TechnicalDrawing 1287.dxf](#)

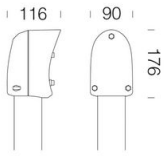


## WARRANTY

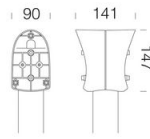
After sales warranty	3 yr
----------------------	------

## 1280 - Garden

Code: 420846-00



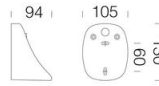
452 Connection for single pole



453 Connection for double pole



5 Fibreglass pole



451 Ceiling wall mount