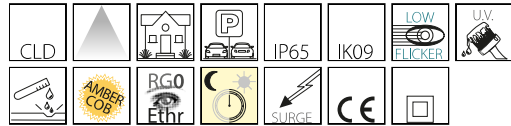


1583 - Vista LED COB

Code: 422212-73



Vista is one of Disano's most popular street lamps. Designed for the lighting of parks, Vista can blend seamlessly into gardens and green areas or into well-tended and special urban settings.

A good lighting infrastructure enhances the feeling of safety and embellishes a public square or a neighbourhood, allowing spaces to come alive in the evenings.

Vista LED is the version with latest generation LED modules.



GENERAL INFORMATION

Article	1583 - Vista LED COB
Code	422212-73

DIMENSIONS AND WEIGHT

Length (mm)	585 mm
Width (mm)	585 mm
Height (mm)	550 mm
Weight (Kg)	10.3 kg

INSTALLATION

Diameter (Ø) of pole connector (mm)	60-60 mm
Surface exposed to wind (mm)	L 168000 mm ² , F 168000 mm ²

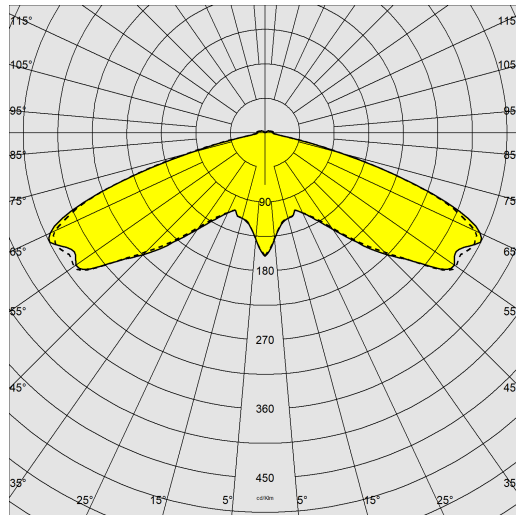
ELECTRICAL CHARACTERISTICS AND CONTROLS

Voltage type	AC
Min Voltage (V)	220 V
Max Voltage (V)	240 V
Min Frequency (Hz)	50 Hz
Max Frequency (Hz)	60 Hz
Frequency (Hz)	50 Hz
Wiring name	CLD
Power factor	≥0.9
Rated Current	1400 mA
Surge protector (common) (EN 61547)	10 kV, 10 kV
Insulation class	Class II
Controllability	None

1583 - Vista LED COB

Code: 422212-73

PHOTOMETRIC DATA



Lighting source LED COB AMBER

CRI amber

Luminous flux (output) (lm) 3415 lm

Power absorption (total) (W) 57 W

CCT 2200 K

Luminous efficacy (lm/W) 60 lm/W

Low Flicker luminaire with very low flicker: evenly distributed light for greater visual safety.

LED flux maintenance 50000 hr, L 80, B 20

MECHANICAL CHARACTERISTICS

Impact resistance rating (IK) IK09

IP 65

Ambient temperature - min -20 °C

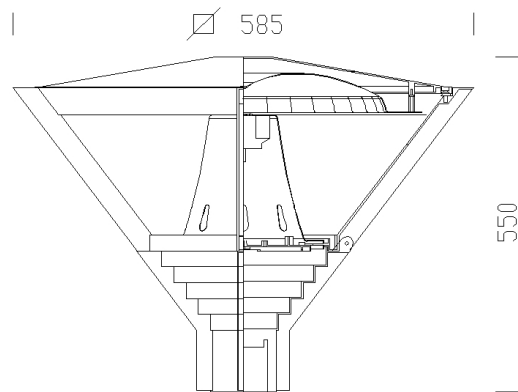
Ambient temperature - max 40 °C



1583 - Vista LED COB

Code: 422212-73

MATERIALS AND COLOURS



Housing	in die-cast aluminium.
Diffuser	in anti-glare polycarbonate, shatterproof and V2 self-extinguishing, UV stabilised, externally smooth and dustproof.
Heat sink	built-in.
Pole connection	suited for poles with a diameter of 60 mm.
Coating	pre-treatment of metal surface, polyester powder coating to ensure resistance to corrosion and salt spray fogs, UV stabilised.
Colour	Graphite
Equipment	<ul style="list-style-type: none"> - selector switch. - waterproof connector for quick installation with no need to open the fixture. - anti-condensation valve. - temperature controller with auto-reset. - EN 61547 compliant surge protection.

STANDARDS AND COMPLIANCE

Photobiological safety class	RG0 Ethr
Markings and tests	CE
Reference standards	EN60598-1. With degree of protection according to EN60529.
Energy Label	E

DOWNLOAD

MOUNTS

[AssemblyInstructions vista 03-23.pdf](#)

DESIGNS

[BIM 1583 Vista LED COB - 20200604.zip](#)

[TechnicalDrawing 1583 vista led.dxf](#)



WARRANTY

After sales warranty	5 yr
----------------------	------