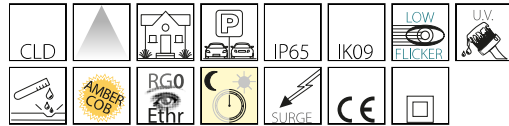


## 1583 - Vista LED COB

Code: 422213-0016



Vista is one of Disano's most popular street lamps. Designed for the lighting of parks, Vista can blend seamlessly into gardens and green areas or into well-tended and special urban settings.

A good lighting infrastructure enhances the feeling of safety and embellishes a public square or a neighbourhood, allowing spaces to come alive in the evenings.

Vista LED is the version with latest generation LED modules.



### GENERAL INFORMATION

Article	1583 - Vista LED COB
Code	422213-0016

### DIMENSIONS AND WEIGHT

Length (mm)	585 mm
Width (mm)	585 mm
Height (mm)	550 mm
Weight (Kg)	10.3 kg

### INSTALLATION

Diameter (Ø) of pole connector (mm)	60-60 mm
Surface exposed to wind (mm)	L 168000 mm <sup>2</sup> , F 168000 mm <sup>2</sup>

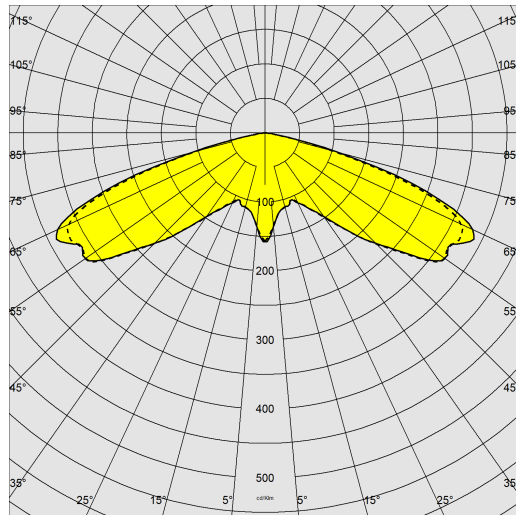
### ELECTRICAL CHARACTERISTICS AND CONTROLS

Voltage type	AC
Min Voltage (V)	220 V
Max Voltage (V)	240 V
Min Frequency (Hz)	50 Hz
Max Frequency (Hz)	60 Hz
Frequency (Hz)	50 Hz
Wiring name	CLD
Power factor	≥0.9
Rated Current	1400 mA
Surge protector (common) (EN 61547)	10 kV, 10 kV
Insulation class	Class II
Controllability	None

## 1583 - Vista LED COB

Code: 422213-0016

### PHOTOMETRIC DATA



Lighting source	LED COB
CRI	≥80
Luminous flux (output) (lm)	3441 lm
Power absorption (total) (W)	53 W
CCT	4000 K
Luminous efficacy (lm/W)	65 lm/W
Low Flicker	luminaire with very low flicker: evenly distributed light for greater visual safety.
LED flux maintenance	50000 hr, L 80, B 20

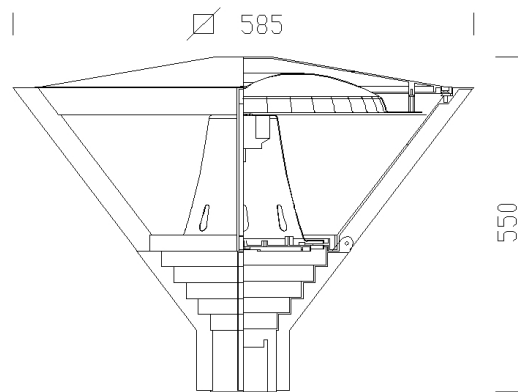
### MECHANICAL CHARACTERISTICS

Impact resistance rating (IK)	IK09
IP	65
Ambient temperature - min	-20 °C
Ambient temperature - max	40 °C

# 1583 - Vista LED COB

Code: 422213-0016

## MATERIALS AND COLOURS



Housing	in die-cast aluminium.
Diffuser	in anti-glare polycarbonate, shatterproof and V2 self-extinguishing, UV stabilised, externally smooth and dustproof.
Heat sink	built-in.
Pole connection	suited for poles with a diameter of 60 mm.
Coating	pre-treatment of metal surface, polyester powder coating to ensure resistance to corrosion and salt spray fogs, UV stabilised.
Colour	Grey
Equipment	<ul style="list-style-type: none"> <li>- selector switch.</li> <li>- waterproof connector for quick installation with no need to open the fixture.</li> <li>- anti-condensation valve.</li> <li>- temperature controller with auto-reset.</li> <li>- EN 61547 compliant surge protection.</li> </ul>

## STANDARDS AND COMPLIANCE

Photobiological safety class	RG0 Ethr
Markings and tests	CE
Reference standards	EN60598-1. With degree of protection according to EN60529.
Energy Label	E

## DOWNLOAD

### MOUNTS

[AssemblyInstructions vista 03-23.pdf](#)

### DESIGNS

[BIM 1583 Vista LED COB - 20200604.zip](#)

[TechnicalDrawing 1583 vista led.dxf](#)



## WARRANTY

After sales warranty	5 yr
----------------------	------