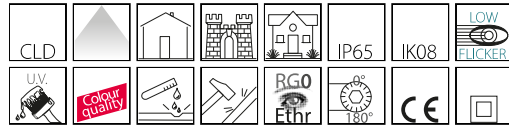


1515 - Elfo LED - FL - COB

Code: 422391-00

GENERAL INFORMATION



Article	1515 - Elfo LED - FL - COB
Code	422391-00

DIMENSIONS AND WEIGHT

Length (mm)	200 mm
Width (mm)	150 mm
Height (mm)	300 mm
Diameter (Ø) (mm)	150 mm
Weight (Kg)	2.714 kg

ELECTRICAL CHARACTERISTICS AND CONTROLS

Voltage (V)	230 V
Frequency (Hz)	50 Hz
Wiring	CLD
Power factor	≥0.9
Current (mA)	1050 mA
Surge protector (common) (EN 61547)	1 kV, 2 kV
Insulation class	Class II
Controllability	None



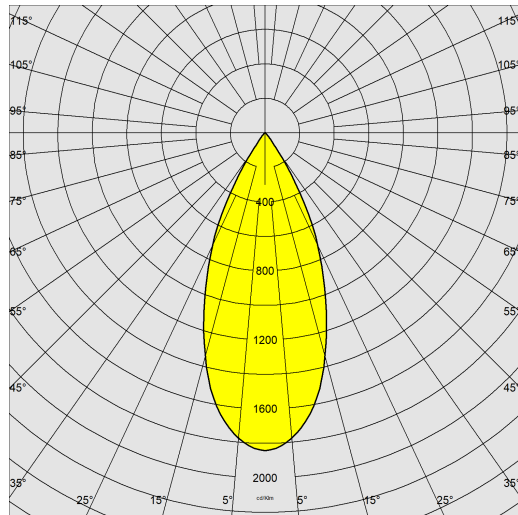
A complete product that meets needs and wishes of lighting designers.



1515 - Elfo LED - FL - COB

Code: 422391-00

PHOTOMETRIC DATA



Lighting source	LED COB
CRI	90
Luminous flux (output) (lm)	3198 lm
Power absorption (total) (W)	41 W
CCT	4000 K
Luminous efficacy (lm/W)	78 lm/W
Beam angle (°)	40 °
LED flux maintenance	50000 hr, L 80, B 20

MECHANICAL CHARACTERISTICS

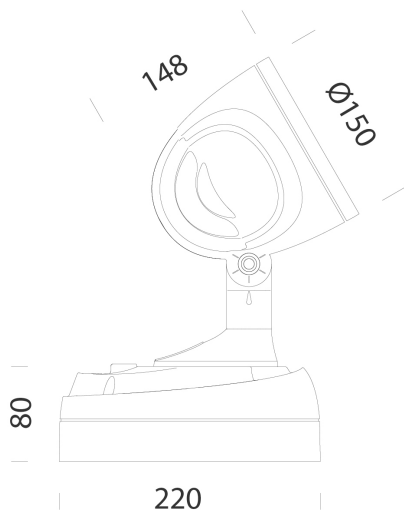
Impact resistance rating (IK)	IK08
IP	65



1515 - Elfo LED - FL - COB

Code: 422391-00

MATERIALS AND COLOURS



Housing	in die-cast aluminium with cooling fins integrated in the cover.
Optics	in high-performance silver-coated aluminium.
Diffuser	tempered glass, 4 mm thick, resistant to thermal shock and impact (UNI EN 12150-1:2001).
Coating	pre-treatment of metal surface, epoxy-based cataphoresis treatment to ensure resistance to corrosion and salt spray fogs, a second final hand of liquid two-component acrylic coating, UV stabilised.
Colour	Graphite
Equipment	silicone and EPDM rubber sealing gasket. Rubber cable gland Ø 1/2 gas inch.

STANDARDS AND COMPLIANCE

Photobiological safety class	RG0 Ethr
Markings and tests	CE
Reference standards	EN60598-1. With degree of protection according to EN60529.

WARRANTY

After sales warranty	2 yr
----------------------	------

DOWNLOAD

MOUNTS

[AssemblyInstructions Elfo 03-23.pdf](#)

DESIGNS

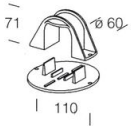
[TechnicalDrawing elfoled.dxf](#)

[TechnicalDrawing3D disano 1515 elfo.3ds](#)

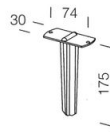


1515 - Elfo LED - FL - COB

Code: 422391-00



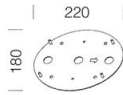
120 Pole support



119 Spike



116 Angle support



188 Board