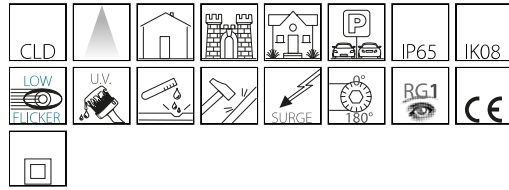


# 1564 - Elfo Amber - FS

Code: 422394-73

## GENERAL INFORMATION



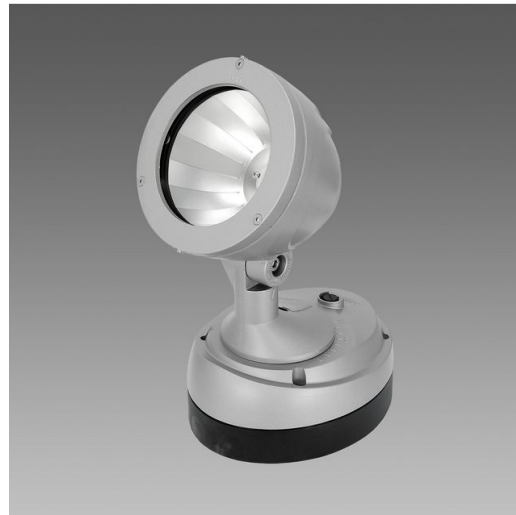
Article	1564 - Elfo Amber - FS
Code	422394-73

## DIMENSIONS AND WEIGHT

Length (mm)	200 mm
Width (mm)	150 mm
Height (mm)	300 mm
Diameter (Ø) (mm)	150 mm
Weight (Kg)	2.6 kg

## ELECTRICAL CHARACTERISTICS AND CONTROLS

Voltage (V)	230 V
Frequency (Hz)	50 Hz
Wiring	CLD
Power factor	≥0.9
Insulation class	Class II
Controllability	None



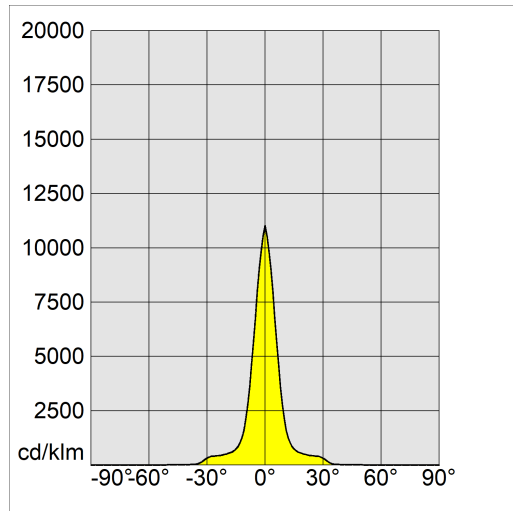
A complete product that meets needs and wishes of lighting designers.



## 1564 - Elfo Amber - FS

Code: 422394-73

### PHOTOMETRIC DATA



Lighting source	LED AMBER
CRI	amber
Luminous flux (output) (lm)	4096 lm
Power absorption (total) (W)	42 W
CCT	2200 K
Luminous efficacy (lm/W)	98 lm/W
Beam angle (°)	15 °
LED flux maintenance	50000 hr, L 80, B 20

### MECHANICAL CHARACTERISTICS

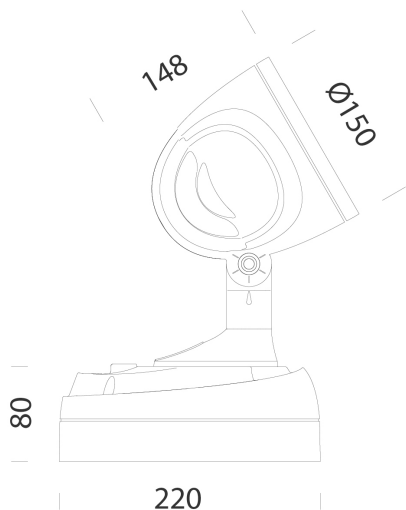
Impact resistance rating (IK)	IK08
IP	65



# 1564 - Elfo Amber - FS

Code: 422394-73

## MATERIALS AND COLOURS



**DOWNLOAD**

MOUNTS

[AssemblyInstructions Elfo 03-23.pdf](#)

DESIGNS

[TechnicalDrawing elfoled.dxf](#)



Housing	in die-cast aluminium with cooling fins integrated in the cover.
Optics	in high-performance silver-coated aluminium.
Diffuser	tempered glass, 4 mm thick, resistant to thermal shock and impact (UNI EN 12150-1:2001).
Coating	pre-treatment of metal surface, polyester powder coating to ensure resistance to corrosion and salt spray fogs, UV stabilised.
Colour	Grey
Equipment	silicone and EPDM rubber sealing gasket. Rubber cable gland Ø 1/2 gas inch.

## STANDARDS AND COMPLIANCE

Photobiological safety class	RG0 Ethr
Markings and tests	CE
Reference standards	EN60598-1. With degree of protection according to EN60529.
Energy Label	E

## WARRANTY

After sales warranty	3 yr
----------------------	------

# 1564 - Elfo Amber - FS

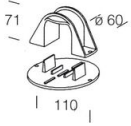
Code: 422394-73



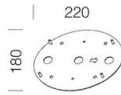
**116 Angle support**



**119 Spike**



**120 Pole support**



**188 Board**