

1564 - Elfo LED - FS - COB

Code: 422397-00

GENERAL INFORMATION



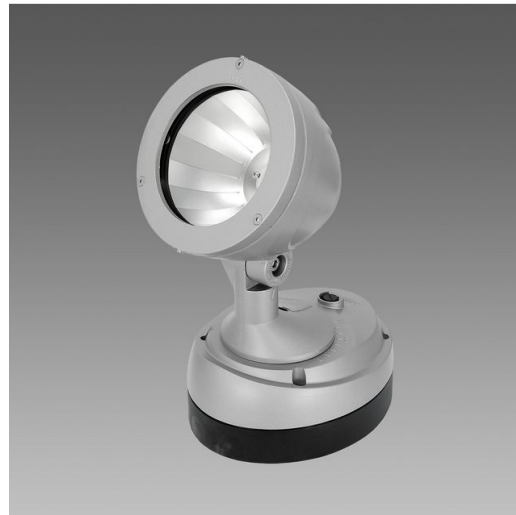
Article	1564 - Elfo LED - FS - COB
Code	422397-00

DIMENSIONS AND WEIGHT

Length (mm)	200 mm
Width (mm)	150 mm
Height (mm)	300 mm
Diameter (Ø) (mm)	150 mm
Weight (Kg)	2.455 kg

ELECTRICAL CHARACTERISTICS AND CONTROLS

Voltage (V)	230 V
Frequency (Hz)	50 Hz
Wiring	CLD
Power factor	≥0.9
Current (mA)	700 mA
Surge protector (common) (EN 61547)	1 kV, 2 kV
Insulation class	Class II
Controllability	None



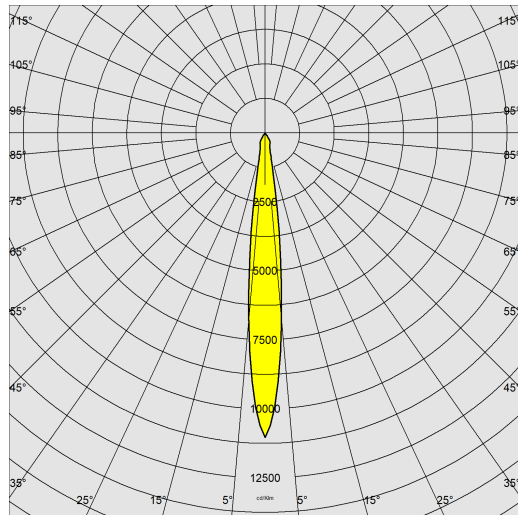
A complete product that meets needs and wishes of lighting designers.



1564 - Elfo LED - FS - COB

Code: 422397-00

PHOTOMETRIC DATA



Lighting source	LED COB
CRI	90
Luminous flux (output) (lm)	2119 lm
Power absorption (total) (W)	28 W
CCT	4000 K
Luminous efficacy (lm/W)	76 lm/W
Beam angle (°)	15 °
LED flux maintenance	50000 hr, L 80, B 20

MECHANICAL CHARACTERISTICS

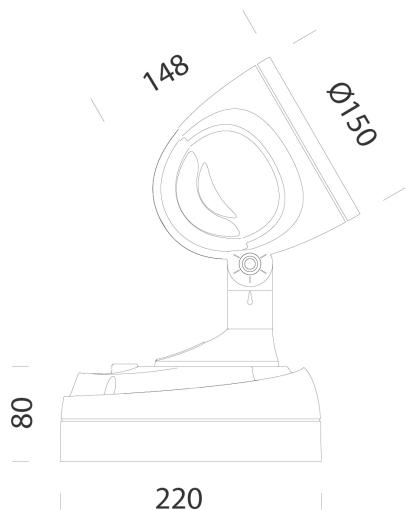
Impact resistance rating (IK)	IK08
IP	65



1564 - Elfo LED - FS - COB

Code: 422397-00

MATERIALS AND COLOURS



DOWNLOAD

MOUNTS

[AssemblyInstructions Elfo 03-23.pdf](#)

DESIGNS

[TechnicalDrawing elfoled.dxf](#)

[TechnicalDrawing3D disano 1564 elfo.3ds](#)



Housing	in die-cast aluminium with cooling fins integrated in the cover.
Optics	in high-performance silver-coated aluminium.
Diffuser	tempered glass, 4 mm thick, resistant to thermal shock and impact (UNI EN 12150-1:2001).
Coating	pre-treatment of metal surface, epoxy-based cataphoresis treatment to ensure resistance to corrosion and salt spray fogs, a second final hand of liquid two-component acrylic coating, UV stabilised.
Colour	Graphite
Equipment	silicone and EPDM rubber sealing gasket. Rubber cable gland Ø 1/2 gas inch.

STANDARDS AND COMPLIANCE

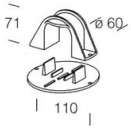
Photobiological safety class	RG0 Ethr
Markings and tests	CE
Reference standards	EN60598-1. With degree of protection according to EN60529.

WARRANTY

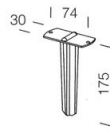
After sales warranty	2 yr
----------------------	------

1564 - Elfo LED - FS - COB

Code: 422397-00



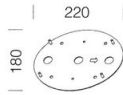
120 Pole support



119 Spike



116 Angle support



188 Board