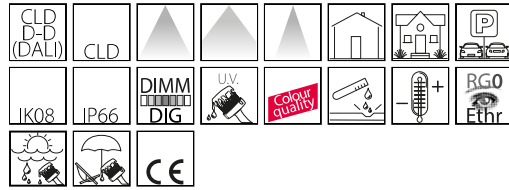


2565 - Podio - with reflector

Code: 422515-00

GENERAL INFORMATION



| | |
|---------|-------------------------------|
| Article | 2565 - Podio - with reflector |
| Code | 422515-00 |

DIMENSIONS AND WEIGHT

| | |
|-------------------|--------|
| Height (mm) | 236 mm |
| Diameter (Ø) (mm) | 160 mm |
| Weight (Kg) | 1.5 kg |

ELECTRICAL CHARACTERISTICS AND CONTROLS

| | |
|--------------------|---------|
| Voltage type | AC |
| Min Voltage (V) | 220 V |
| Max Voltage (V) | 240 V |
| Min Frequency (Hz) | 50 Hz |
| Max Frequency (Hz) | 60 Hz |
| Frequency (Hz) | 50 Hz |
| Wiring name | CLD |
| Power factor | ≥0.92 |
| Rated Current | 700 mA |
| Insulation class | Class I |
| Controllability | None |



Podio, the new addition to the range of spotlights/residential lights, bears the designer signature of Alessandro Pedretti. Made in Italy quality is the distinctive feature of this spotlight which is also seen in the combination between aesthetics and functionality. Podio, in fact, can be used both outdoors, especially in gardens and parks, and indoors to always guarantee an excellent result in terms of energy savings and light quality. The most advanced technology, the colour of the LED light and the excellent performance allow Podio to set itself as the ideal spotlight in any architectural setting.

Thanks to technological evolution and the use of LEDs it is possible to enhance historical monuments or new infrastructure with non invasive systems and that do not alter the viewing of colours and of materials. This will allow the correct illumination and enhancement of cultural assets and landmarks that represent the identity of a place.

The advanced technology and improved design are conceived to reduce power consumption and replace obsolete fixtures in order to meet the growing need for energy savings.



2565 - Podio - with reflector

Code: 422515-00

PHOTOMETRIC DATA



| | |
|------------------------------|----------------------|
| Lighting source | LED COB |
| CRI | 80 |
| Luminous flux (output) (lm) | 3533 lm |
| Power absorption (total) (W) | 25 W |
| CCT | 4000 K |
| Luminous efficacy (lm/W) | 131 lm/W |
| Beam angle | 28 ° |
| LED flux maintenance | 50000 hr, L 80, B 20 |

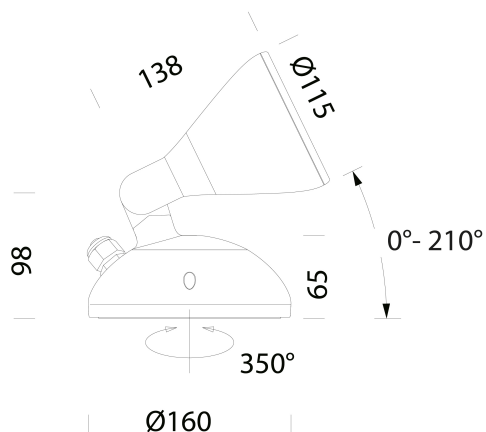
MECHANICAL CHARACTERISTICS

| | |
|-------------------------------|------|
| Impact resistance rating (IK) | IK08 |
| IP | 66 |



2565 - Podio - with reflector

Code: 422515-00



DOWNLOAD

MOUNTS

[AssemblyInstructions Podio 09-22.pdf](#)

DESIGNS

[TechnicalDrawing 2565.dxf](#)

[TechnicalDrawing3D disano 2565 podio.3ds](#)



MATERIALS AND COLOURS

| | |
|--------------------------------|--|
| Housing | die-cast aluminium, with central die-cast aluminium joint. |
| Optics | in high-performance silver-coated aluminium. |
| Diffuser | extra-clear, tempered glass, 4 mm thick, resistant to thermal shock and impact (UNI-EN 12150-1:2001). |
| Coating | pre-treatment of metal surface, polyester powder coating, resistance to corrosion, UV stabilised. Standard with coating for marine environments in compliance with UNI EN ISO 9227. |
| Special coating (UPON REQUEST) | Upon request: protective coating recommended for marine environments within 5 km (3 miles) of the sea. |
| Colour | Graphite |
| Equipment | with surge protection in compliance with EN 61547 to protect the LED module and the related ballast. |

STANDARDS AND COMPLIANCE

| | |
|------------------------------|--|
| Photobiological safety class | RG0 Ethr |
| Markings and tests | CE |
| Reference standards | EN60598-1. With degree of protection according to EN60529. |
| Energy Label | D |

GEAR

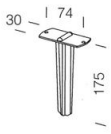
| | |
|--------------|-----------------------------|
| Upon request | 1/10 DIMM or DALI versions. |
|--------------|-----------------------------|

WARRANTY

| | |
|----------------------|------|
| After sales warranty | 3 yr |
|----------------------|------|

2565 - Podio - with reflector

Code: 422515-00



119 Spike