

1756 - Monza FX

Code: 423065-00

GENERAL INFORMATION



Article	1756 - Monza FX
Code	423065-00

DIMENSIONS AND WEIGHT

Length (mm)	588 mm
Width (mm)	340 mm
Height (mm)	173 mm
Weight (Kg)	5.5 kg

INSTALLATION

Diameter (Ø) of pole connector (mm)	60-60 mm
Surface exposed to wind (mm)	L 80000 mm ² , F 120000 mm ²

ELECTRICAL CHARACTERISTICS AND CONTROLS

Voltage type	AC
Min Voltage (V)	220 V
Max Voltage (V)	240 V
Min Frequency (Hz)	50 Hz
Max Frequency (Hz)	60 Hz
Frequency (Hz)	50 Hz
Wiring name	CLD
Power factor	≥0.9
Rated Current	270 mA
Surge protector (common) (EN 61547)	6 kV, 10 kV
Insulation class	Class II
Controllability	None



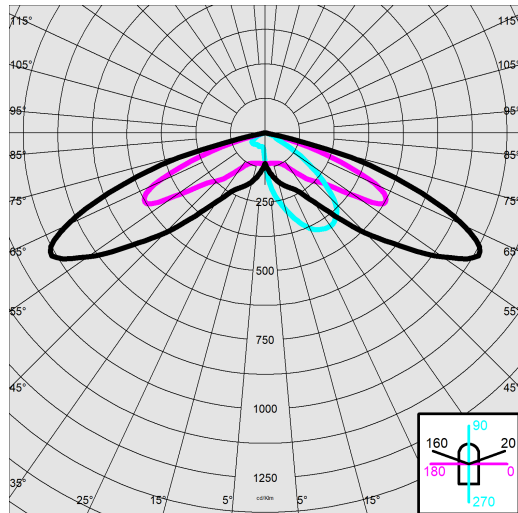
1756 Monza FX



1756 - Monza FX

Code: 423065-00

PHOTOMETRIC DATA



Lighting source	LED
CRI	70
Luminous flux (output) (lm)	3723 lm
Power absorption (total) (W)	26 W
CCT	4000 K
Luminous efficacy (lm/W)	143 lm/W
Low Flicker	luminaire with very low flicker: evenly distributed light for greater visual safety.
LED flux maintenance	80000 hr, L 80, B 20

MECHANICAL CHARACTERISTICS

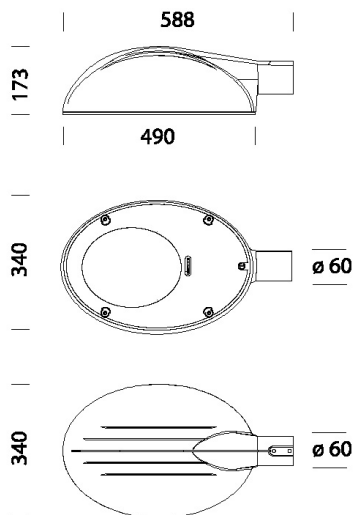
Impact resistance rating (IK)	IK08
IP	66



1756 - Monza FX

Code: 423065-00

MATERIALS AND COLOURS



DOWNLOAD

MOUNTS

[AssemblyInstructions monza 03-23.pdf](#)

DESIGNS

[BIM 1756 Monza FX.zip](#)

[TechnicalDrawing 1756.dxf](#)



Housing	in die-cast aluminium.
Optics	in high-performance PMMA resistant to high temperatures and UV rays.
Diffuser	tempered glass, 5 mm thick, resistant to thermal shock and impact (UNI EN 12150-1:2001).
Heat sink	the heat sink is designed and made to allow the LEDs to operate at temperatures capable of ensuring excellent performance/output and long service life.
Pole connection	die-cast aluminium. For poles with a diameter of 60 mm.
Coating	the fully automated powder-coating cycle involves a polyester-based, salt-spray corrosion-resistant and UV-stabilised paint.
Colour	Grey9007
Equipment	<ul style="list-style-type: none"> - selector switch. - waterproof connector for quick installation with no need to open the fixture. - anti-condensation valve. - temperature controller with auto-reset. - EN 61547 compliant surge protection. - ADVANCED PROG built-in functions.

STANDARDS AND COMPLIANCE

Photobiological safety class	RG0 Ethr
Markings and tests	CE, ENEC
Reference standards	EN60598-1. They have a degree of protection according to the EN60529 standard.
Energy Label	C

WARRANTY

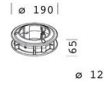
After sales warranty	5 yr
----------------------	------

1756 - Monza FX

Code: 423065-00



213 Long banner connection



212 Joint ring



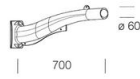
405 Adjustable Connection



211 Sector connector



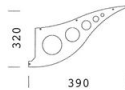
215 Tie rod



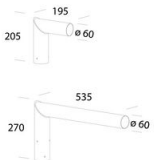
210 Arm



300 Vert olive



214 Short banner connection



205 Mast-top mount