

3585 - Volo - cycle + street

Code: 424650-39

GENERAL INFORMATION



Article	3585 - Volo - cycle + street
Code	424650-39

DIMENSIONS AND WEIGHT

Length (mm)	695 mm
Width (mm)	360 mm
Height (mm)	132 mm
Weight (Kg)	5.5 kg

INSTALLATION

Diameter (Ø) of pole connector (mm)	60-60 mm
Surface exposed to wind (mm)	L 51800 mm ² , F 146100 mm ²

ELECTRICAL CHARACTERISTICS AND CONTROLS

Voltage type	AC
Min Voltage (V)	220 V
Max Voltage (V)	240 V
Min Frequency (Hz)	50 Hz
Max Frequency (Hz)	60 Hz
Frequency (Hz)	50 Hz
Wiring name	CLD
Power factor	≥0.9
Surge protector (common) (EN 61547)	6 kV, 10 kV
Insulation class	Class II
Controllability	None



What makes a city truly beautiful? Of course, its monuments and architectural masterpieces play a key role, but the liveability of its spaces must also be considered. A beautiful city is a nice, interesting place to live in by day as well as by night. This is why, urban decor and especially lighting fixtures play an increasingly important role in big and small cities that want to renovate and keep up with modern times.

With the new LED lighting systems, urban decor becomes the most complete expression of the new idea of city: eco-friendly with more spaces for pedestrians and cyclists and that is safer and more enjoyable even during the evenings.

The new LED version of Volo, one of Disano's most popular products for urban amenities combines the performance of the latest LED technology with the characteristics of solidity and reliability, which have always distinguished this product.

The basic design, which fully meets all technical needs, starting with the containment of lighting pollution, does not exclude the possibility to create original and innovative projects. This is why, Volo LED is also available with new surface colours (light blue and pearl), capable of giving character and prestige to the lighting system.

It has a definitely stimulating design, but above all, it ensures high quality lighting. Latest generation high-efficiency LED sources in fact create a pleasant evening environment, conveying a sense of safety and great visual comfort, also thanks to a very low flicker level.

The optics, which have always been one of greatest strengths of all Disano lighting products are of different types in order to best use Volo LED in different urban routes (vehicle traffic, cycle lanes, pedestrian areas) as well as in residential zones.

LED sources, high-quality materials and components, combined with the manufacturer's great expertise, are the true guarantee of long life cycle.

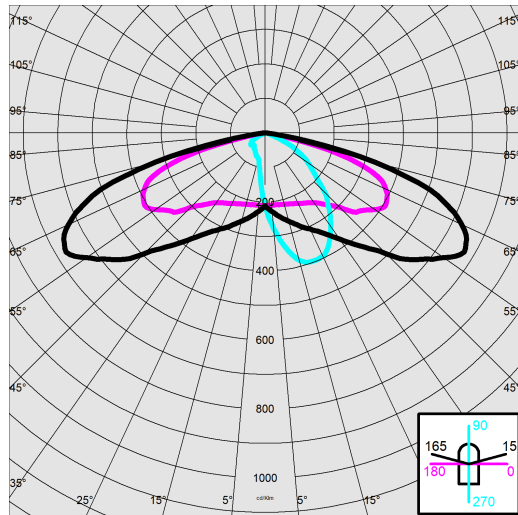
It is a perfect example of Made in Italy excellence, designed to make cities around the world more beautiful.



3585 - Volo - cycle + street

Code: 424650-39

PHOTOMETRIC DATA



Distribution type	Narrow / High centre distance
Lighting source	LED
CRI	70
Luminous flux (output) (lm)	1716 lm
Power absorption (total) (W)	13 W
CCT	3000 K
Luminous efficacy (lm/W)	132 lm/W
Low Flicker	luminaire with very low flicker: evenly distributed light for greater visual safety.
LED flux maintenance	100000 hr, L 80, B 10

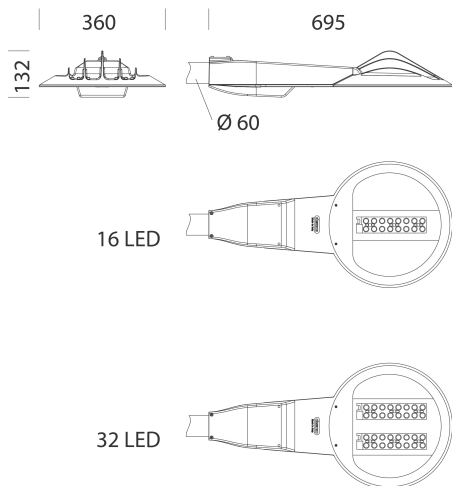
MECHANICAL CHARACTERISTICS

Impact resistance rating (IK)	IK08
IP	66
Ambient temperature - min	-30 °C
Ambient temperature - max	40 °C

3585 - Volo - cycle + street

Code: 424650-39

MATERIALS AND COLOURS



DOWNLOAD

MOUNTS

[AssemblyInstructions volo 03-23.pdf](#)

DESIGNS

[TechnicalDrawing 3585.dxf](#)



Housing	in die-cast aluminium and designed with a very small surface exposed to wind. Cooling fins integrated in the cover.
Optics	in high-performance PMMA resistant to high temperatures and UV rays.
Diffuser	tempered glass, 4 mm thick, resistant to thermal shock and impact (UNI EN 12150-1:2001).
Heat sink	the heat sink is designed and made to allow the LEDs to operate at temperatures capable of ensuring excellent performance/output and long service life.
Pole connection	die-cast aluminium. For poles with a diameter of 60 mm.
Coating	the fully automated powder-coating cycle involves a polyester-based, salt-spray corrosion-resistant and UV-stabilised paint.
Special coating (UPON REQUEST)	Upon request: protective coating recommended for marine environments within 5 km (3 miles) of the sea.
Colour	Graphite
Equipment	<ul style="list-style-type: none"> - waterproof connector for quick installation with no need to open the fixture. - anti-condensation valve. - temperature controller with auto-reset. - EN 61547 compliant surge protection. - ADVANCED PROG built-in functions.

STANDARDS AND COMPLIANCE

Photobiological safety class	RG0 Ethr
Markings and tests	CE, ENEC
Reference standards	EN60598-1. With degree of protection according to EN60529. Registered Design DM/100271.
Energy Label	C

GEAR

Upon request	<ul style="list-style-type: none"> - Nema Socket, to be ordered with subcode 40 (wall cap to be ordered separately) - Zhaga Socket, to be ordered with subcode 0054 (supplied with cap)
--------------	---

WARRANTY

After sales warranty	5 yr
----------------------	------

3585 - Volo - cycle + street

Code: 424650-39

