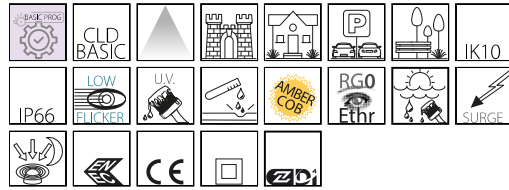


3591 - Ischia - COB rotosymmetric wide beam RM

Code: 424670-73

GENERAL INFORMATION



Article	3591 - Ischia - COB rotosymmetric wide beam RM
Code	424670-73

DIMENSIONS AND WEIGHT

Height (mm)	105 mm
Diameter (Ø) (mm)	500 mm
Weight (Kg)	4.9 kg

INSTALLATION

Diameter (Ø) of pole connector (mm)	60-60 mm
Surface exposed to wind (mm)	L 34500 mm ² , F 19700 mm ²

ELECTRICAL CHARACTERISTICS AND CONTROLS

Voltage type	AC
Min Voltage (V)	220 V
Max Voltage (V)	240 V
Min Frequency (Hz)	50 Hz
Max Frequency (Hz)	60 Hz
Frequency (Hz)	50 Hz
Wiring name	CLD
Power factor	≥0.9
Surge protector (common) (EN 61547)	6 kV, 10 kV
Insulation class	Class II
Controllability	None



With its round, simple and modern design, ISCHIA recalls the ecological credentials of LED lighting making it ideal for illuminating parks and residential areas.

ISCHIA LED is available in 3000 and 4000K colour temperatures and in amber, the colour temperature designed to reproduce the cosy ambient light associated with sunset. In this way, artificial light becomes a less invasive element in the environment, respecting the needs of the surrounding flora and fauna.

Moreover, it is equipped to accept all the most advanced management and control system.

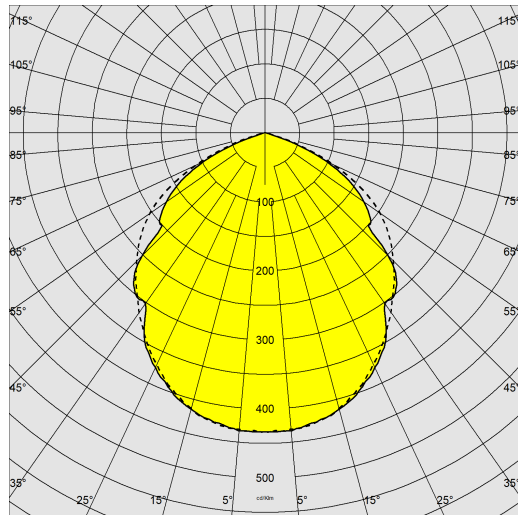
The ISCHIA range includes luminaires with different photometric curves to achieve the best lighting performance in every pathway and setting.



3591 - Ischia - COB roto-symmetric wide beam RM

Code: 424670-73

PHOTOMETRIC DATA



Distribution type	Roto-symmetric wide beam - 360°
Lighting source	LED COB AMBER
CRI	amber
Luminous flux (output) (lm)	5172 lm
Power absorption (total) (W)	44 W
CCT	2200 K
Luminous efficacy (lm/W)	118 lm/W
Low Flicker	luminaire with very low flicker: evenly distributed light for greater visual safety.
LED flux maintenance	50000 hr, L 80, B 20

MECHANICAL CHARACTERISTICS

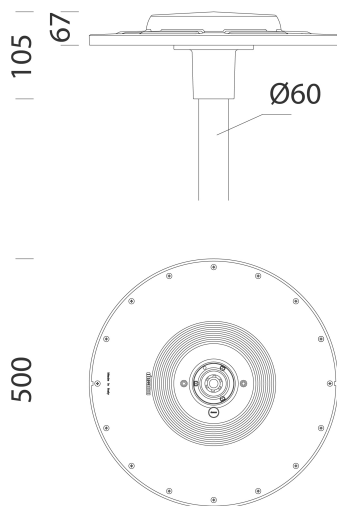
Impact resistance rating (IK)	IK10
IP	66
Ambient temperature - min	-30 °C
Ambient temperature - max	50 °C



3591 - Ischia - COB rotosymmetric wide beam RM

Code: 424670-73

MATERIALS AND COLOURS



DOWNLOAD

MOUNTS

[AssemblyInstructions ischia 01-23.pdf](#)

DESIGNS

[BIM 3591 Ischia - RM 05-23](#)

[TechnicalDrawing ischia.dxf](#)



Housing	in die-cast aluminium.
Optics	in high-performance prismatic and polished aluminium.
Diffuser	in polycarbonate, 2.5 mm thick, resistant to thermal shock and impact (UNI EN 12150-1:2001).
Heat sink	the heat sink is designed and made to allow the LEDs to operate at temperatures capable of ensuring excellent performance/output and long service life.
Pole connection	die-cast aluminium. For poles with a diameter of 60 mm.
Coating	pre-treatment of metal surface, polyester powder coating to ensure resistance to corrosion and salt spray fogs, UV stabilised.
Special coating (UPON REQUEST)	upon request: available with coating tested to withstand corrosion tests in aggressive artificial atmospheres (UNI EN ISO 9227) or marine environments (sea front).
Colour	Graphite
Equipment	<ul style="list-style-type: none"> - waterproof connector for quick installation with no need to open the fixture. - anti-condensation valve. - temperature controller with auto-reset. - EN 61547 compliant surge protection. - BASIC PROG built-in functions.

STANDARDS AND COMPLIANCE

Photobiological safety class	RG0 Ethr
Markings and tests	CE, ENEC+, ZHAGA D4i, ENEC
Reference standards	EN60598-1. With degree of protection according to EN60529.
Energy Label	D

GEAR

Upon request	<ul style="list-style-type: none"> -Diffuser with opal finish: subcode -0026 -1-10V regulation: subcode -12 -Virtual midnight: subcode -30, 4 steps (upon request max 8 steps) - Telemanagement by power line carrier subcode -0078 -2200K: subcode -73
--------------	--

WARRANTY

After sales warranty	5 yr
----------------------	------

3591 - Ischia - COB rotosymmetric wide beam RM

Code: 424670-73



5 Fibreglass pole



1278 Conical



1481 steel conical pole to be buried



1480 steel conical pole with base



1478 Urban Pole to be buried



1477 Urban Pole - with base



1408 Fluted pole \varnothing 100 with base



1409 Fluted pole \varnothing 100



1508 Fluted pole \varnothing 120 with base



1509 Fluted pole \varnothing 120