

1440 - Pole with base

Code: 425276-00

GENERAL INFORMATION



Article	1440 - Pole with base
Code	425276-00

DIMENSIONS AND WEIGHT

Weight (Kg)	28 kg
-------------	-------

INSTALLATION

Diameter (Ø) of pole connector (mm)	60-60 mm
-------------------------------------	----------



Poles and arm in painted galvanized aluminium. Designed with a hole for the insertion of the power supply cable, with mast-top mounting of $\varnothing 60$ cm for arm acc. 513 or 532. With inspection window, complete with 4-pole/3-way removable 10 mm² terminal block and 2.5 mm² shunt, with 16A fuse. The version with base requires the purchase of 4 long bolts, nuts and caps to be buried for ground installation.



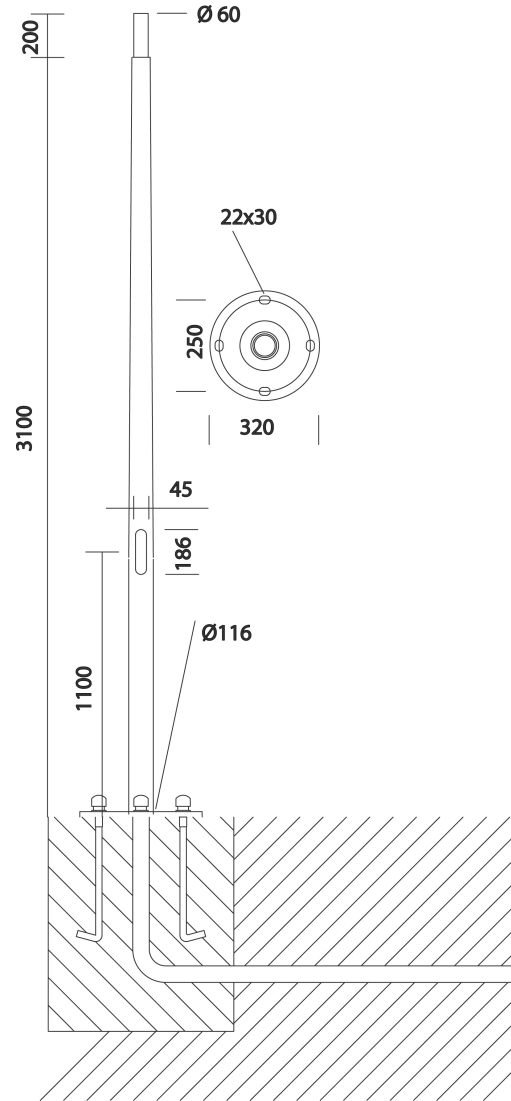
1440 - Pole with base

Code: 425276-00



1440 - Pole with base

Code: 425276-00



MATERIALS AND COLOURS

Housing	Steel. Inspection window with 2 x 10A fuses, removable 4-pole terminal block. Designed with hole for power cable entry. To be used with acc. 513/532 or diam. 60 mast-top connection. The version with base comes with 4 anchor bolts.
Pole connection	60mm
Coating	thermoset polyester powder coated.
Colour	Grey

STANDARDS AND COMPLIANCE

Markings and tests	CE
Laboratory Tests	The possibility of coupling a composition to the lamp post is subject to verification of the resistance to wind load, in the areas specified in Standard DM 14/01/2008 and according to the design load specifications in Standard EN 40-3-1.

WARRANTY

After sales warranty	0 yr
----------------------	------

DOWNLOAD

MOUNTS

AssemblyInstructions 1440-1441-1477-1478 10-13.pdf

DESIGNS

TechnicalDrawing 1440s.dxf

TechnicalDrawing3D disano 1440 aura.3ds

