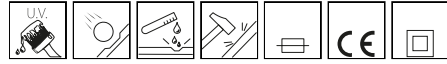


1477 - Urban Pole - with base

Code: 425360-00

GENERAL INFORMATION



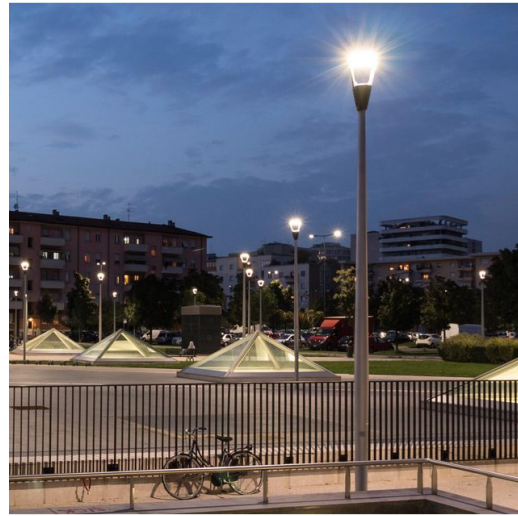
Article	1477 - Urban Pole - with base
Code	425360-00

DIMENSIONS AND WEIGHT

Weight (Kg)	48 kg
-------------	-------

INSTALLATION

Diameter (Ø) of pole connector (mm)	60-60 mm
-------------------------------------	----------



Hot-dip galvanised steel poles. With hole for insertion of power supply cable, pole-head connection, Ø60.



1477 - Urban Pole - with base

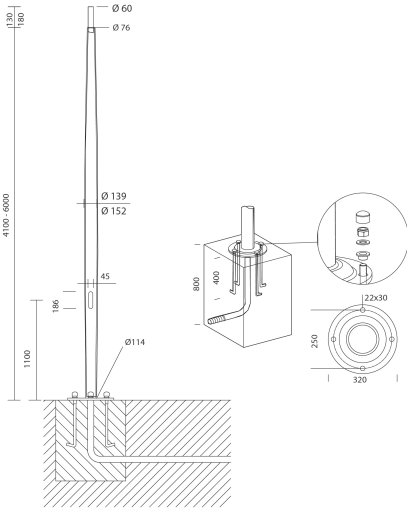
Code: 425360-00



1477 - Urban Pole - with base

Code: 425360-00

MATERIALS AND COLOURS



Housing	Steel, semi-cylindrical cross-section. Complete with 2 x 16A fuses, removable terminal block. The version with the base requires the purchase of 4 anchor bolts. Designed with hole for power cable entry, with ø60 mast-top connection.
Pole connection	60 mm
Coating	thermoset polyester powder coated.
Colour	Grey

STANDARDS AND COMPLIANCE

Markings and tests	CE
Laboratory Tests	The possibility of coupling a composition to the lamp post is subject to verification of the resistance to wind load, in the areas specified in Standard DM 14/01/2008 and according to the design load specifications in Standard EN 40-3-1.

WARRANTY

After sales warranty	0 yr
----------------------	------

DOWNLOAD

MOUNTS

[AssemblyInstructions 1440-1441-1477-1478 10-13.pdf](#)

DESIGNS

[TechnicalDrawing 1477v.dxf](#)

[TechnicalDrawing3D disano 1477 urban 6m.3ds](#)

