

1335 - Globo LED against light pollution

Code: 425601-39

GENERAL INFORMATION



Article	1335 - Globo LED against light pollution
Code	425601-39

DIMENSIONS AND WEIGHT

Height (mm)	520 mm
Diameter (Ø) (mm)	400 mm
Weight (Kg)	3.3 kg

INSTALLATION

Surface exposed to wind (mm)	L 140000 mm ² , F 140000 mm ²
------------------------------	---

ELECTRICAL CHARACTERISTICS AND CONTROLS

Voltage type	AC
Min Voltage (V)	220 V
Max Voltage (V)	240 V
Min Frequency (Hz)	50 Hz
Max Frequency (Hz)	60 Hz
Frequency (Hz)	50 Hz
Wiring name	CLD
Power factor	≥0.9
Surge protector (common) (EN 61547)	10 kV, 10 kV
Insulation class	Class II
Controllability	None



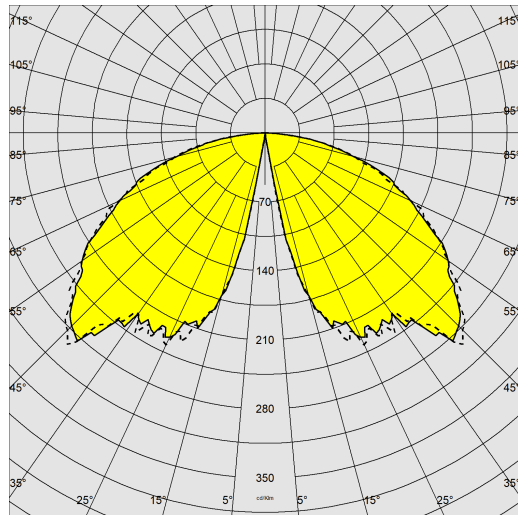
Globo: in polycarbonate, shatterproof and V2 self-extinguishing, UV stabilised, anti-yellowing. Excellent transparency for good light transmission. Upper part painted to comply with light pollution regulations.



1335 - Globo LED against light pollution

Code: 425601-39

PHOTOMETRIC DATA



Distribution type	Spherical wide beam
Lighting source	LED
CRI	80
Luminous flux (output) (lm)	1283 lm
Power absorption (total) (W)	20 W
CCT	3000 K
Luminous efficacy (lm/W)	64 lm/W
LED flux maintenance	50000 hr, L 80, B 20

MECHANICAL CHARACTERISTICS

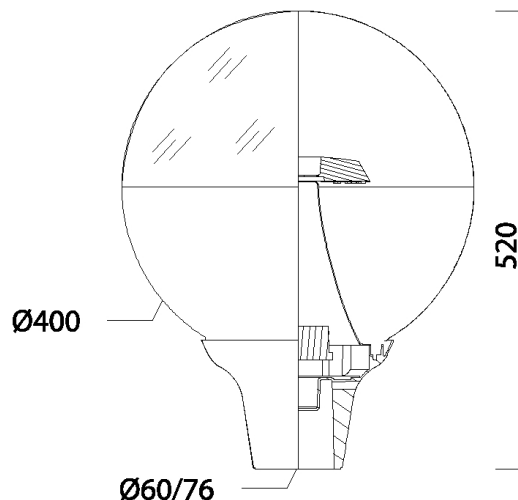
Impact resistance rating (IK)	IK08
IP	65



1335 - Globo LED against light pollution

Code: 425601-39

MATERIALS AND COLOURS



Housing	central cone: black-coated aluminium to protect against light pollution. For poles with a diameter of 60 mm.
Diffuser	in polycarbonate, transparent, anti-glare, shatterproof and V2 self-extinguishing, UV stabilised.
Ground connection (base)	in die-cast aluminium.
Coating	the fully automated powder-coating cycle involves a polyester-based, salt-spray corrosion-resistant and UV-stabilised paint.
Special coating (UPON REQUEST)	Upon request: protective coating recommended for marine environments within 5 km (3 miles) of the sea.
Colour	Grey9007
Equipment	<ul style="list-style-type: none"> - complete with waterproof connector for line connection. - anti-condensation valve. - temperature controller with auto-reset. - EN 61547 compliant surge protection.

STANDARDS AND COMPLIANCE

Photobiological safety class	RG0
Markings and tests	CE
Reference standards	EN60598-1. With degree of protection according to EN60529.
Energy Label	C

DOWNLOAD

MOUNTS

[AssemblyInstructions globo 04-23.pdf](#)

DESIGNS

[TechnicalDrawing 1335.dxf](#)



WARRANTY

After sales warranty	3 yr
----------------------	------

1335 - Globo LED against light pollution

Code: 425601-39



5 Fibreglass pole