

1844 - Globo 2.0

Code: 427249-39

GENERAL INFORMATION



Article	1844 - Globo 2.0
Code	427249-39

DIMENSIONS AND WEIGHT

Height (mm)	85 mm
Diameter (Ø) (mm)	300 mm
Weight (Kg)	0.9 kg

ELECTRICAL CHARACTERISTICS AND CONTROLS

Voltage type	AC
Min Voltage (V)	220 V
Max Voltage (V)	240 V
Min Frequency (Hz)	50 Hz
Max Frequency (Hz)	60 Hz
Frequency (Hz)	50 Hz
Wiring name	CLD
Power factor	≥0.9
Insulation class	Class I
Controllability	None



Up-to-date technology and special attention to design. Globo 2.0, a semi-recessed LED luminaire, stands out for the quality of the materials used, which guarantee robustness and durability.

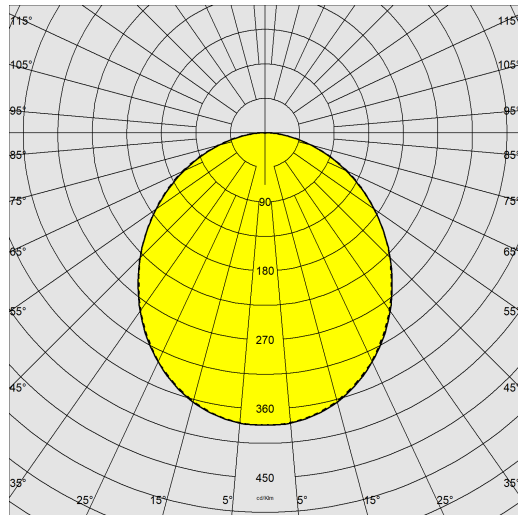
The luminaire's body and diffuser are made of shatterproof, V2 self-extinguishing polycarbonate, stabilised against UV rays. The seals are made of environmentally friendly material and the quality of the light is ensured by the anti-glare diffuser, which is smooth on the outside to prevent dust from building up.



1844 - Globo 2.0

Code: 427249-39

PHOTOMETRIC DATA



Lighting source	LED
CRI	83
Luminous flux (output) (lm)	1953 lm
Power absorption (total) (W)	14 W
CCT	3000 K
Luminous efficacy (lm/W)	140 lm/W
Low Flicker	luminaire with very low flicker: evenly distributed light for greater visual safety.
LED flux maintenance	50000 hr, L 80, B 10

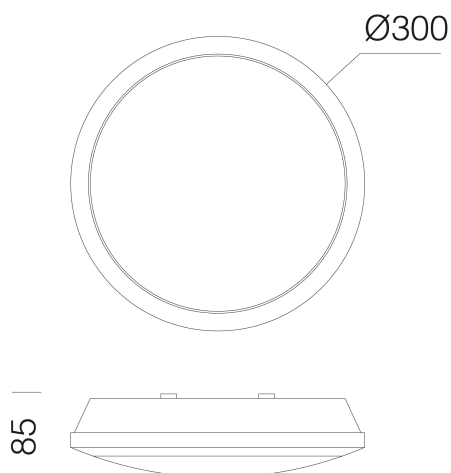
MECHANICAL CHARACTERISTICS

Impact resistance rating (IK)	IK08
IP	65



1844 - Globo 2.0

Code: 427249-39



DOWNLOAD

- MOUNTS
- AssemblyInstructions globo 2 0 07-24.pdf
- DESIGNS
- BIM 1844 Globo 2.0 - 20201221
- TechnicalDrawing 1844.dxf



MATERIALS AND COLOURS

Housing	in polycarbonate, shatterproof and self-extinguishing, UV stabilised, anti-yellowing and external finishing ring in ABS.
Diffuser	in polycarbonate, transparent, anti-glare, shatterproof and V2 self-extinguishing, UV stabilised.
Coating	epoxy polyester powder coating resistant to UV rays.
Colour	White
Equipment	gasket in eco-friendly material. Rubber cable gland with diam. 1/2 gas inch (cable min. diam.9 max diam. 12).

STANDARDS AND COMPLIANCE

Photobiological safety class	RG0
Markings and tests	CE
Reference standards	EN60598-1. With degree of protection according to EN60529.
Energy Label	D

WARRANTY

After sales warranty	5 yr
----------------------	------