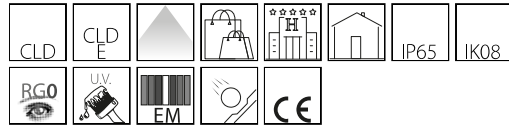


1848 - Riquadro - LUXURY

Code: 427552-00

GENERAL INFORMATION



Article	1848 - Riquadro - LUXURY
Code	427552-00

DIMENSIONS AND WEIGHT

Length (mm)	250 mm
Width (mm)	250 mm
Height (mm)	62 mm
Weight (Kg)	1.4 kg

ELECTRICAL CHARACTERISTICS AND CONTROLS

Voltage type	AC
Min Voltage (V)	220 V
Max Voltage (V)	240 V
Min Frequency (Hz)	50 Hz
Max Frequency (Hz)	60 Hz
Frequency (Hz)	50 Hz
Wiring name	CLD
Power factor	≥0.92
Insulation class	Class I
Controllability	None



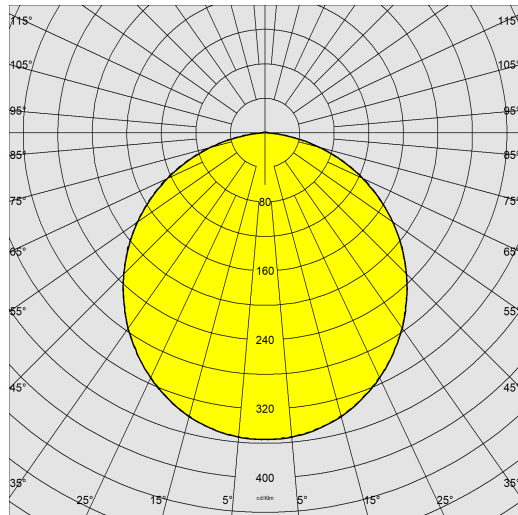
Indoor or outdoor LED wall sconce for passage areas, balconies, facades.
With the latest LED technology, these wall lights are ideal for installation in places where lights need to stay on all the time, thanks to their energy saving bulbs.



1848 - Riquadro - LUXURY

Code: 427552-00

PHOTOMETRIC DATA



Lighting source	LED
CRI	80
Luminous flux (output) (lm)	1032 lm
Power absorption (total) (W)	9 W
CCT	4000 K
Luminous efficacy (lm/W)	115 lm/W
Low Flicker	luminaire with very low flicker: evenly distributed light for greater visual safety.
LED flux maintenance	50000 hr, L 80, B 20

MECHANICAL CHARACTERISTICS

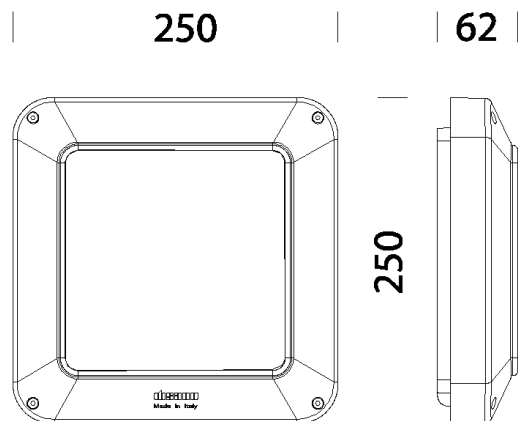
Impact resistance rating (IK)	IK08
IP	65



1848 - Riquadro - LUXURY

Code: 427552-00

MATERIALS AND COLOURS



Housing	in die-cast aluminium.
Diffuser	in anti-glare methacrylate, shatterproof and V2 self-extinguishing, UV stabilised, externally smooth and dustproof.
Coating	epoxy polyester powder coating resistant to UV rays.
Colour	Grey9007

STANDARDS AND COMPLIANCE

Photobiological safety class	RG0
Markings and tests	CE
Reference standards	EN60598-1. With degree of protection according to EN60529.
Energy Label	C

WARRANTY

After sales warranty	3 yr
----------------------	------

DOWNLOAD

MOUNTS

[AssemblyInstructions riquadro 11-22.pdf](#)

DESIGNS

[TechnicalDrawing 1848.dxf](#)

