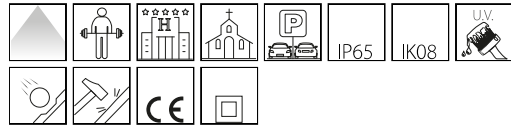


## 1626 - Box 2 - matt polycarbonate diffuser

Code: 431640-00

### GENERAL INFORMATION



Article	1626 - Box 2 - matt polycarbonate diffuser
Code	431640-00

### DIMENSIONS AND WEIGHT

Length (mm)	247 mm
Width (mm)	247 mm
Height (mm)	147 mm
Weight (Kg)	1.3 kg

### INSTALLATION

Recessed dimensions - Length (mm)	240 mm
Recessed dimensions - Width (mm)	240 mm

### ELECTRICAL CHARACTERISTICS AND CONTROLS

Voltage type	AC
Min Voltage (V)	220 V
Max Voltage (V)	240 V
Min Frequency (Hz)	50 Hz
Max Frequency (Hz)	60 Hz
Frequency (Hz)	50 Hz
Wiring name	CLD-S
Wiring	power supply 220-240V 50/60Hz. Rigid cable with 0.50 mm <sup>2</sup> cross-section. 2P terminal block with max. 2.5 mm <sup>2</sup> cross-section cables.
Power factor	≥90
Insulation class	Class II
Controllability	None



BOX is a family of wall-mounted LED luminaires featuring an essential, contemporary design, created for functional and discreet lighting of pedestrian walkways, outdoor corridors, and connecting paths.

The well-controlled light distribution ensures visual comfort and safety, preventing glare and light dispersion. Its compact and robust construction makes BOX suitable for both residential and architectural applications, blending seamlessly and understatedly into any environment.



## 1626 - Box 2 - matt polycarbonate diffuser

---

Code: 431640-00

### PHOTOMETRIC DATA

Lighting source	LED
CCT	0 K
LED flux maintenance	0 hr, L 0, B 0

---

### MECHANICAL CHARACTERISTICS

Impact resistance rating (IK)	IK08
IP	65

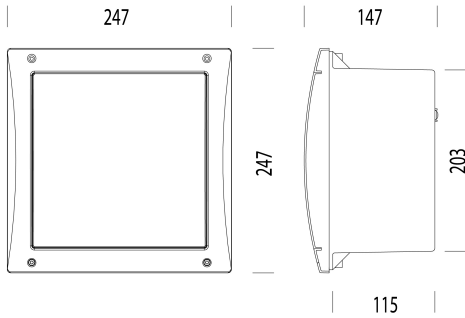
---



# 1626 - Box 2 - matt polycarbonate diffuser

Code: 431640-00

## MATERIALS AND COLOURS



Housing	in fibreglass nylon, RAL 7035 grey, shatterproof UV-stabilised, frame in thermoplastic material (for outdoor applications), RAL 7004 grey.
Optics	in polycarbonate, shatterproof and V2 self-extinguishing, UV stabilised.
Diffuser	in polycarbonate, shatterproof and V2 self-extinguishing, UV stabilised.
Colour	Grey
Equipment	<ul style="list-style-type: none"> <li>- rubber sealing gasket.</li> <li>- with polycarbonate wiring plate.</li> <li>- As standard, designed to fit LED lamp with E27 connector.</li> </ul>

## STANDARDS AND COMPLIANCE

Photobiological safety class	RG0
Markings and tests	CE
Reference standards	EN60598-1. They have a degree of protection according to the EN60529 standard.

## DOWNLOAD

DESIGNS

TechnicalDrawing 1626g.dxf



## WARRANTY

After sales warranty	3 yr
----------------------	------