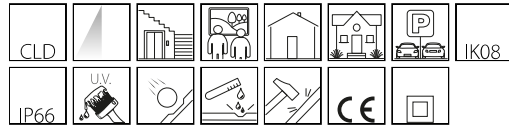


## 1609 - Box 1

Code: 431770-00

### GENERAL INFORMATION



Article	1609 - Box 1
Code	431770-00

### DIMENSIONS AND WEIGHT

Length (mm)	306 mm
Width (mm)	166 mm
Height (mm)	115 mm
Weight (Kg)	1.6 kg

### INSTALLATION

Recessed dimensions - Length (mm)	157 mm
Recessed dimensions - Width (mm)	297 mm

### ELECTRICAL CHARACTERISTICS AND CONTROLS

Voltage type	AC
Min Voltage (V)	220 V
Max Voltage (V)	240 V
Min Frequency (Hz)	50 Hz
Max Frequency (Hz)	60 Hz
Frequency (Hz)	50 Hz
Wiring name	CLD
Power factor	≥0.9
Insulation class	Class II
Controllability	None



BOX is a family of wall-mounted LED luminaires featuring an essential, contemporary design, created for functional and discreet lighting of pedestrian walkways, outdoor corridors, and connecting paths.

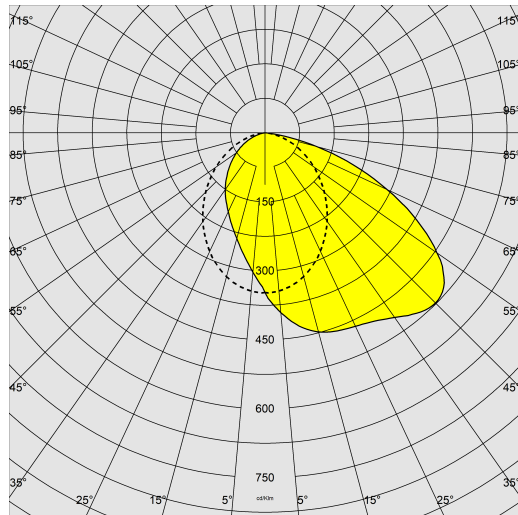
The well-controlled light distribution ensures visual comfort and safety, preventing glare and light dispersion. Its compact and robust construction makes BOX suitable for both residential and architectural applications, blending seamlessly and understatedly into any environment.



## 1609 - Box 1

Code: 431770-00

### PHOTOMETRIC DATA



Lighting source	LED
CRI	>80
Luminous flux (output) (lm)	74 lm
Power absorption (total) (W)	4.5 W
CCT	4000 K
Luminous efficacy (lm/W)	16 lm/W
LED flux maintenance	50000 hr, L 90, B 10

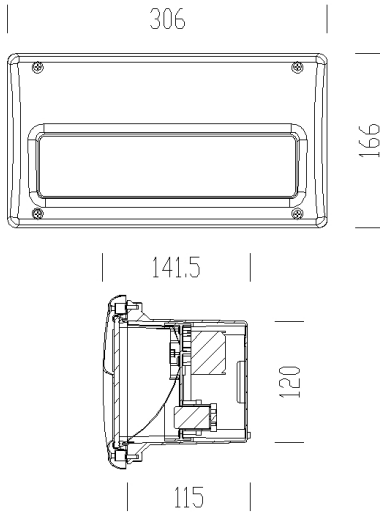
### MECHANICAL CHARACTERISTICS

Impact resistance rating (IK)	IK08
IP	66



## 1609 - Box 1

Code: 431770-00



### DOWNLOAD

#### MOUNTS

[AssemblyInstructions 1606-1607-1609 04-23.pdf](#)

#### DESIGNS

[TechnicalDrawing 1609 led.dxf](#)



### MATERIALS AND COLOURS

Housing	in fibreglass nylon, RAL 7035 grey, shatterproof UV-stabilised, (part to be recessed in wall), frame made of AISI 316 stainless steel, also ideal in marine areas.
Diffuser	tempered glass, resistant to thermal shock and impact (UNI EN 12150-1:2001).
Colour	Stainless steel
Equipment	<ul style="list-style-type: none"><li>- rubber sealing gasket.</li><li>- with polycarbonate wiring plate.</li><li>- built-in driver 50/60Hz.</li></ul>

### STANDARDS AND COMPLIANCE

Photobiological safety class	RG0
Markings and tests	CE
Reference standards	EN60598-1. They have a degree of protection according to the EN60529 standard.
Energy Label	C

### WARRANTY

After sales warranty	3 yr
----------------------	------