

## 1220 - Dafne

Code: 431801-00

### GENERAL INFORMATION



Article	1220 - Dafne
Code	431801-00

### DIMENSIONS AND WEIGHT

Height (mm)	216 mm
Diameter (Ø) (mm)	133 mm
Weight (Kg)	0.4 kg

### ELECTRICAL CHARACTERISTICS AND CONTROLS

Voltage type	AC
Min Voltage (V)	220 V
Max Voltage (V)	240 V
Frequency (Hz)	0 Hz
Wiring name	CLD-S
Wiring	power supply 220-240V 50/60Hz.
Power factor	≥0
Insulation class	Class II
Controllability	None



in fibreglass nylon, shatterproof, UV stabilised.



## 1220 - Dafne

Code: 431801-00

### PHOTOMETRIC DATA

Lighting source	LED PAR38
CCT	0 K
LED flux maintenance	0 hr, L 0, B 0

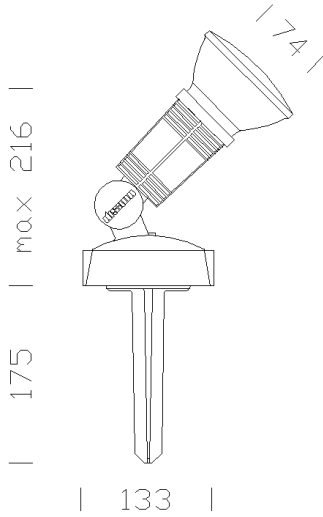
### MECHANICAL CHARACTERISTICS

Impact resistance rating (IK)	IK08
IP	65



## 1220 - Dafne

Code: 431801-00



### MATERIALS AND COLOURS

Housing	in fibreglass nylon, shatterproof, UV stabilised.
Colour	Black
Equipment	with base plate and burying rod.

### STANDARDS AND COMPLIANCE

Photobiological safety class	RG0 Ethr
Markings and tests	CE
Reference standards	EN60598-1. They have a degree of protection according to the EN60529 standard.

### WARRANTY

After sales warranty	3 yr
----------------------	------

### DOWNLOAD

#### MOUNTS

[AssemblyInstructions Dafne 03-21.pdf](#)

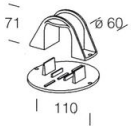
#### DESIGNS

[TechnicalDrawing 1220dfn.dxf](#)

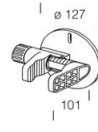


## 1220 - Dafne

Code: 431801-00



**120 Pole support**



**118 Terminal**



**116 Angle support**