

1537 - Koala ES

Code: 431824-00

GENERAL INFORMATION



Article	1537 - Koala ES
Code	431824-00

DIMENSIONS AND WEIGHT

Height (mm)	196 mm
Diameter (Ø) (mm)	127 mm
Weight (Kg)	0.7 kg

ELECTRICAL CHARACTERISTICS AND CONTROLS

Voltage type	AC
Min Voltage (V)	220 V
Max Voltage (V)	240 V
Min Frequency (Hz)	50 Hz
Max Frequency (Hz)	60 Hz
Frequency (Hz)	50 Hz
Wiring name	CLD-S+L
Power factor	≥0.9
Insulation class	Class I
Controllability	None



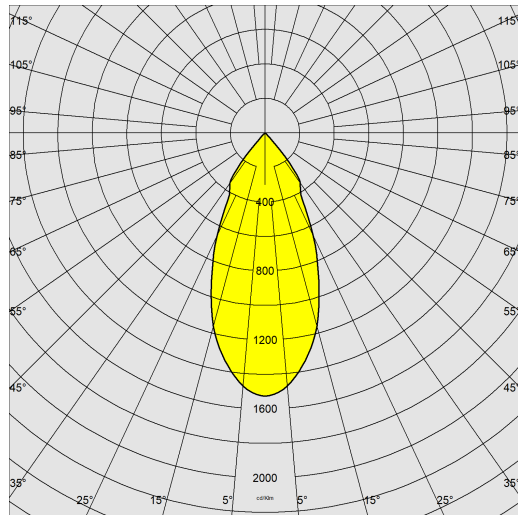
Restyling of the classic garden spotlight with a slender shape. The LED in outdoor lighting is now a guarantee for quality with the advantage of significant energy savings. In the LED version, Koala ensures excellent colour rendering that guarantee perfect, homogeneous light, especially for the lighting of monuments or building façades. Carefully designed for maximum efficiency and durability. Available with multiple accessories and in three colours: silver, graphite, corten.



1537 - Koala ES

Code: 431824-00

PHOTOMETRIC DATA



Lighting source	LED SMD
CRI	80
Luminous flux (output) (lm)	429 lm
Power absorption (total) (W)	6 W
CCT	3000 K
Luminous efficacy (lm/W)	72 lm/W
Beam angle	38 °
LED flux maintenance	25000 hr, L 70, B 50

MECHANICAL CHARACTERISTICS

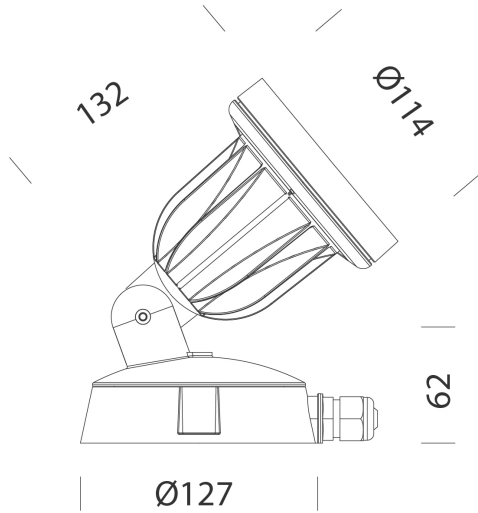
Impact resistance rating (IK)	IK08
IP	65



1537 - Koala ES

Code: 431824-00

MATERIALS AND COLOURS



Housing	in die-cast aluminium with cooling fins integrated in the cover.
Diffuser	extra-clear, tempered glass, 4 mm thick, resistant to thermal shock and impact (UNI-EN 12150-1:2001).
Coating	the fully automated powder-coating cycle involves a polyester-based, salt-spray corrosion-resistant and UV-stabilised paint.
Special coating (UPON REQUEST)	Upon request: protective coating recommended for marine environments within 5 km (3 miles) of the sea.
Colour	Graphite
Equipment	cable gland diam. 3/8.

STANDARDS AND COMPLIANCE

Photobiological safety class	RG0 Ethr
Markings and tests	CE
Reference standards	EN60598-1. They have a degree of protection according to the EN60529 standard.
Energy Label	G

DOWNLOAD

MOUNTS

[AssemblyInstructions koala 01-26.pdf](#)

DESIGNS

[TechnicalDrawing 1537di.dxf](#)



WARRANTY

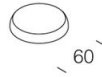
After sales warranty	3 yr
----------------------	------

1537 - Koala ES

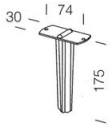
Code: 431824-00



118 Terminal



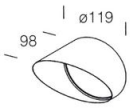
115 Pole cap



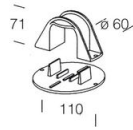
119 Spike



116 Angle support



114 Conveyor



120 Pole support