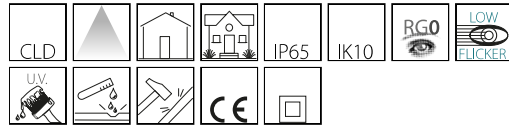


1232 - Faro - small type

Code: 510006-00

GENERAL INFORMATION



Article	1232 - Faro - small type
Code	510006-00

DIMENSIONS AND WEIGHT

Length (mm)	510 mm
Width (mm)	180 mm
Height (mm)	510 mm
Diameter (Ø) (mm)	180 mm
Weight (Kg)	3.8 kg

ELECTRICAL CHARACTERISTICS AND CONTROLS

Voltage type	AC
Min Voltage (V)	220 V
Max Voltage (V)	240 V
Min Frequency (Hz)	50 Hz
Max Frequency (Hz)	60 Hz
Frequency (Hz)	50 Hz
Wiring name	CLD
Power factor	≥0.9
Insulation class	Class II
Controllability	None



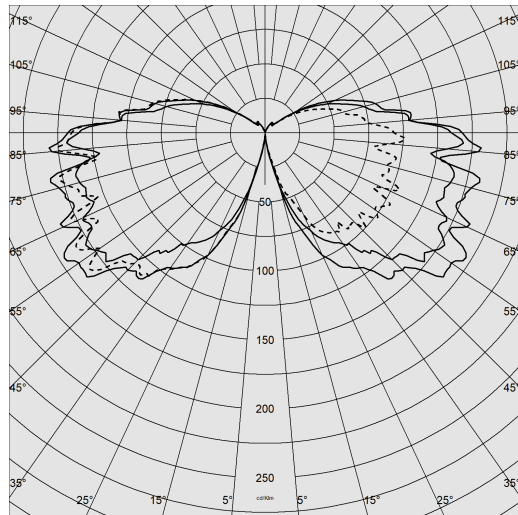
In addition to functional aspects, outdoor lighting must also take into account aesthetics. Disano has therefore expanded the Faro series to include a LED version. It is a small-size luminaire with the right light beam management can create pleasant and elegant settings. This luminaire was designed for installation with a steel column support.



1232 - Faro - small type

Code: 510006-00

PHOTOMETRIC DATA



Lighting source	LED
CRI	>80
Luminous flux (output) (lm)	813 lm
Power absorption (total) (W)	13 W
CCT	4000 K
Luminous efficacy (lm/W)	63 lm/W
LED flux maintenance	50000 hr, L 80, B 20

MECHANICAL CHARACTERISTICS

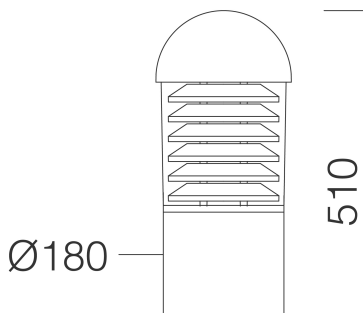
Impact resistance rating (IK)	IK10
IP	65



1232 - Faro - small type

Code: 510006-00

MATERIALS AND COLOURS



Housing	in extruded aluminium, with cylindrical cross-section with a diam. of 180 mm.
Diffuser	in polycarbonate, transparent, anti-glare, shatterproof and V2 self-extinguishing, UV stabilised.
Ground connection (base)	in die-cast aluminium.
Coating	pre-treatment of metal surface, polyester powder coating to ensure resistance to corrosion and salt spray fogs, UV stabilised.
Special coating (UPON REQUEST)	upon request: available with coating tested to withstand corrosion tests in aggressive artificial atmospheres (UNI EN ISO 9227) or marine environments (sea front).
Colour	Graphite
Equipment	- with air circulation valve. - complete with waterproof connector for line connection

STANDARDS AND COMPLIANCE

Photobiological safety class	RG0
Markings and tests	CE
Reference standards	EN60598-1. With degree of protection according to EN60529.
Energy Label	C

WARRANTY

After sales warranty	3 yr
----------------------	------

DOWNLOAD

MOUNTS

[AssemblyInstructions faro 02-23.pdf](#)

DESIGNS

[TechnicalDrawing 1232c.dxf](#)

