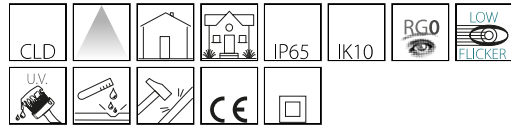


## 1232 - Faro - small type

Code: 510006-39

### GENERAL INFORMATION



Article	1232 - Faro - small type
Code	510006-39

### DIMENSIONS AND WEIGHT

Length (mm)	510 mm
Width (mm)	180 mm
Height (mm)	510 mm
Diameter (Ø) (mm)	180 mm
Weight (Kg)	3.9 kg

### ELECTRICAL CHARACTERISTICS AND CONTROLS

Voltage type	AC
Min Voltage (V)	220 V
Max Voltage (V)	240 V
Min Frequency (Hz)	50 Hz
Max Frequency (Hz)	60 Hz
Frequency (Hz)	50 Hz
Wiring name	CLD
Power factor	≥0.9
Insulation class	Class II
Controllability	None



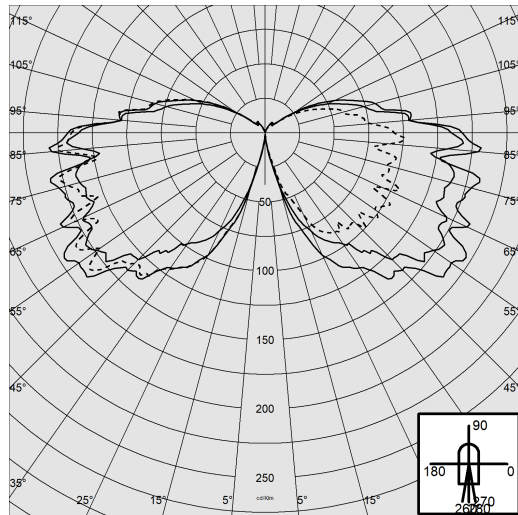
In addition to functional aspects, outdoor lighting must also take into account aesthetics. Disano has therefore expanded the Faro series to include a LED version. It is a small-size luminaire with the right light beam management can create pleasant and elegant settings. This luminaire was designed for installation with a steel column support.



## 1232 - Faro - small type

Code: 510006-39

### PHOTOMETRIC DATA



Lighting source	LED
CRI	>80
Luminous flux (output) (lm)	756 lm
Power absorption (total) (W)	13 W
CCT	3000 K
Luminous efficacy (lm/W)	58 lm/W
LED flux maintenance	50000 hr, L 80, B 20

### MECHANICAL CHARACTERISTICS

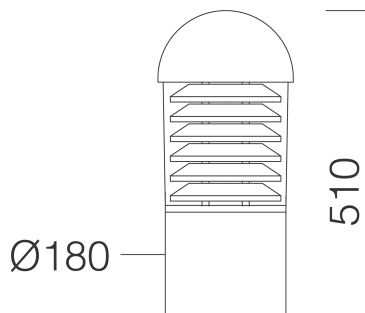
Impact resistance rating (IK)	IK10
IP	65



# 1232 - Faro - small type

Code: 510006-39

## MATERIALS AND COLOURS



Housing	in extruded aluminium, with cylindrical cross-section with a diam. of 180 mm.
Diffuser	in polycarbonate, transparent, anti-glare, shatterproof and V2 self-extinguishing, UV stabilised.
Ground connection (base)	in die-cast aluminium.
Coating	pre-treatment of metal surface, polyester powder coating to ensure resistance to corrosion and salt spray fogs, UV stabilised.
Special coating (UPON REQUEST)	upon request: available with coating tested to withstand corrosion tests in aggressive artificial atmospheres (UNI EN ISO 9227) or marine environments (sea front).
Colour	Graphite
Equipment	- with air circulation valve. - complete with waterproof connector for line connection

## STANDARDS AND COMPLIANCE

Photobiological safety class	RG0
Markings and tests	CE
Reference standards	EN60598-1. With degree of protection according to EN60529.
Energy Label	C

## DOWNLOAD

MOUNTS

[AssemblyInstructions faro 02-23.pdf](#)

DESIGNS

[TechnicalDrawing 1232c.dxf](#)



## WARRANTY

After sales warranty	3 yr
----------------------	------